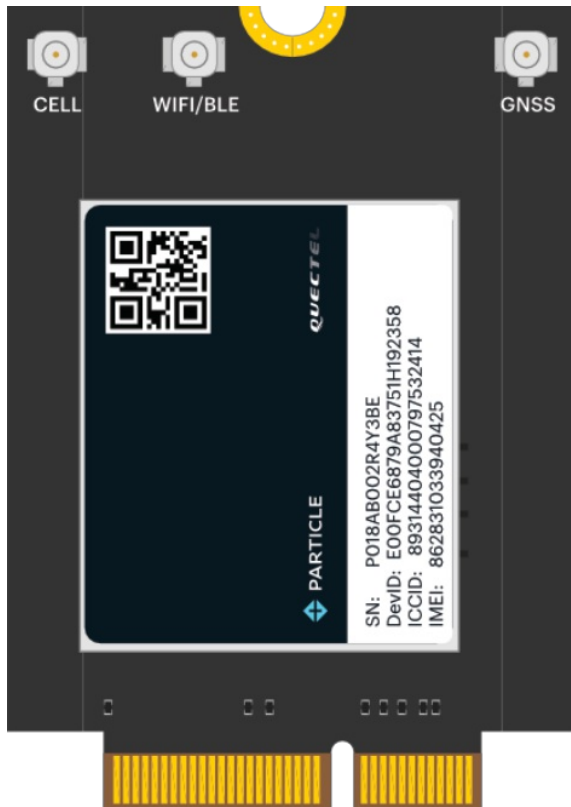


M-SoM datasheet	3
Overview	4
MCU	4
BLOCK DIAGRAM	4
DEVICE FAMILIES	4
MIGRATION GUIDES	5
POWER	5
VCC	5
3V3	5
RF	5
Approved Antennas	7
CERTIFIED CELLULAR ANTENNAS	7
CERTIFIED WI-FI/BLE ANTENNAS	7
CERTIFIED GNSS ANTENNAS	7
GENERAL ANTENNA GUIDANCE	8
PERIPHERALS AND GPIO	8
JTAG AND SWD	8
Pin information	10
PINOUT DIAGRAM	10
PIN FUNCTION BY PIN NAME	10
PIN FUNCTION BY M.2 PIN	11
GPIO (DIGITAL I/O)	12
ADC (ANALOG TO DIGITAL CONVERTER)	13
UART SERIAL	14
SPI	14
I2C	15
PWM	15
PDM	15
USB	16
RGB LED	16
BOOT MODE PINS	16
BLE (BLUETOOTH LE)	17
SLEEP	17
SETUP AND RESET BUTTON	17
SUPERVISORY RESET	17
PMIC NOTES	18
CELLULAR MODEM USB PINS	19
SIM PINS	19
Technical specification	20
RECOMMENDED OPERATING CONDITIONS	20
I/O CHARACTERISTICS	20
POWER CONSUMPTION (M524)	20
POWER CONSUMPTION (M404)	21
POWER CONSUMPTION (M635)	21
RADIO SPECIFICATIONS	21

Realtek RTL872x for Wi-Fi 2.4 GHz	21
Realtek RTL872x for Wi-Fi 5 GHz	22
Realtek RTL872x for BLE	22
Cellular characteristics for BG95-M5 (M404)	22
Cellular characteristics for EG91-EX (M524)	23
Mechanical specifications	25
MECHANICAL DRAWING	25
MATING CONNECTOR AND LAND PATTERN	26
SCREW ASSEMBLY	27
DESIGN CONSIDERATIONS	27
Product Handling	29
ESD PRECAUTIONS	29
CONNECTORS	29
Default settings	30
FCC ISED CE Warnings and End Product Labeling Requirements	31
EUROPEAN UNION (CE)	33
M404 - EUROPEAN UNION (CE)	33
M524 - EUROPEAN UNION (CE)	33
UNITED KINGDOM	33
OUTDOOR USE (WORLD)	34
Certification documents	35
FCC (UNITED STATES) - M404 M-SOM M-SERIES LTE-M/2G	35
ISED (CANADA) - M404 M-SOM M-SERIES LTE-M/2G	35
CE (EUROPEAN UNION) - M404 M-SOM M-SERIES LTE-M/2G	35
ROHS - M404 M-SOM M-SERIES LTE-M/2G	35
CE (EUROPEAN UNION) - M524 M-SOM M-SERIES LTE CAT 1	35
ROHS - M524 M-SOM M-SERIES LTE CAT 1	36
Country compatibility	37
M404 - COUNTRY COMPATIBILITY	37
M404 - CERTIFIED BANDS	37
M524 - COUNTRY COMPATIBILITY	37
M524 - CERTIFIED BANDS	40
M635 - COUNTRY COMPATIBILITY	40
Ordering information	41
Revision history	42

M-SoM datasheet



Overview

The Particle M-SoM contains the following functional units:

- M.2 SoM form-factor, like the B-Series SoM
- Can use cellular or Wi-Fi (2.4 GHz or 5 GHz) for the cloud connection
- Realtek RTL8722DM MCU (BLE and Wi-Fi)
- Cellular modem
 - M404: Quectel BG95-M5 LTE Cat M1/2G (Global)
 - M524: Quectel EG91-EX LTE Cat 1 with 2G/3G fallback (EMEA)
 - M635: Quectel BG95-S5 LTE Cat M1/2G (Global with satellite)

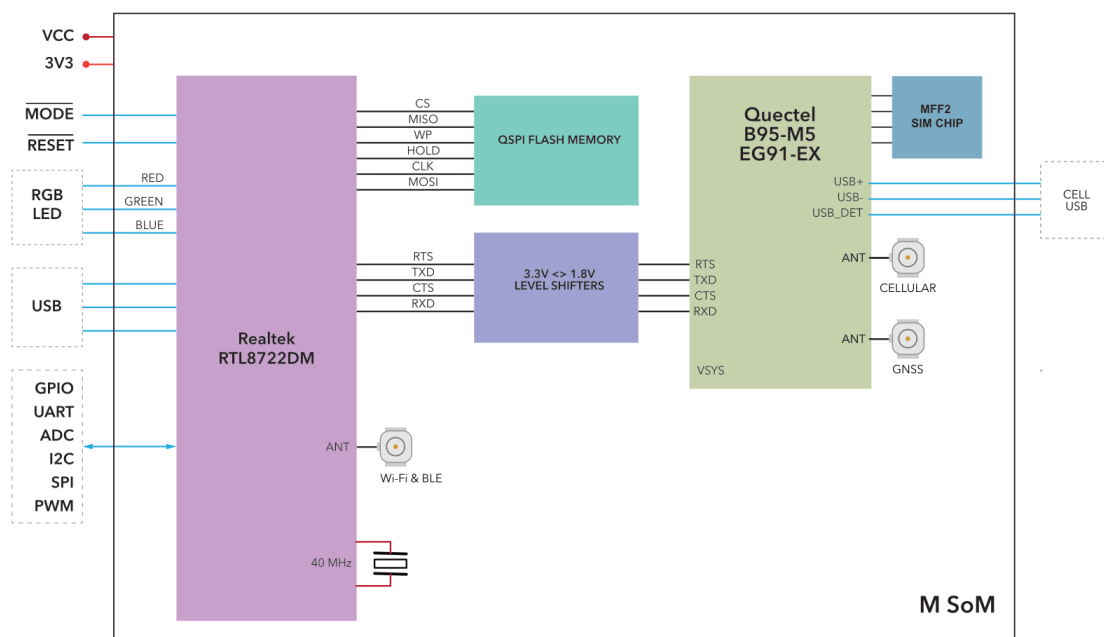
The M404 is fully supported in the United States, Canada, and Mexico. It is in beta testing in other locations. See the [carrier list](#) for country compatibility information.

MCU

The Realtek RTL8722DM is in the same family as the P2 and Photon 2 modules (RTL8721DM), but has additional GPIO.

- 802.11a/b/g/n Wi-Fi, 2.4 GHz and 5 GHz
 - U.FL connector for external antenna
- BLE 5 using same antenna as Wi-Fi
- Realtek RTL8722DM MCU
 - ARM Cortex M33 CPU, 200 MHz
- 2048 KB (2 MB) user application maximum size
- 3072 KB (3 MB) of RAM available to user applications
- 8 MB flash file system
- FCC (United States), ISED (Canada), and CE (European Union) certified

BLOCK DIAGRAM



DEVICE FAMILIES

	Cellular Only	Cellular & Wi-Fi	Wi-Fi Only
Developer devices	Boron		Photon 2
Production module	B-SoM	M-SoM	P2

MIGRATION GUIDES

If you are migrating to the M-SoM from another Particle device, see also the following migration guides:

- [M-SoM from B-SoM](#)
- [M-SoM from Boron or Argon](#)
- [M-SoM from E-Series](#)
- [M-SoM from P2](#)

POWER

VCC

VCC is used to supply power to the cellular module. The recommended input voltage range on this pin is between 3.6V to 4.2V DC. This can be connected directly to a 3.7V LiPo battery. Make sure that the supply can handle currents of at least 2 A.

If you are not using a battery, or using a battery of a different voltage, you should use a regulator to supply 3.7V to 4.2V at 2A. You may want to add additional bulk capacitors to handle the short, high current peak usage when the cellular modem is transmitting.

3V3

3V3 is used to supply power to RTL8722 MCU, logic ICs, memory, etc.. Make sure that the supply can handle a minimum of 500 mA.

These limits do not include any 3.3V peripherals on your base board, so that may increase the current requirements.

Power supply requirements:

- 3.3V output
- Maximum 5% voltage drop
- 100 mV peak-to-peak ripple maximum
- 500 mA minimum output current at 3.3V recommended for future compatibility
- Maintain these values at no-load as well as maximum load

In some cases, it may be necessary to add a supervisory/reset IC, such as the Richtek RT9818C or SG Micro SGM809-RXN3L/TR:

- If your power supply has a slew rate from 1.5V to 3.0V slower than 15 ms, a reset IC is required.
- If your power supply at power off cannot be guaranteed to drop below 0.3V before powering back up, a reset IC required.

See [supervisory reset](#), below, for additional information.

RF

- The M-SoM includes three U.FL connectors for external antennas:

- Cellular
 - Wi-Fi (2.4 GHz and 5 GHz) and BLE
 - GNSS (GPS)
-
- Wi-Fi operation in the 5150-5250 MHz band is only for indoor use to reduce the potential for harmful interference to co-channel mobile satellite systems.

Approved Antennas

CERTIFIED CELLULAR ANTENNAS

The M-SoM is certified with the following cellular antenna:

Antenna	SKU	Details	Links
Wide band LTE cell antenna [x1]	PARANTCW1EA	M404, M524, M635	Datasheet
Wide band LTE cell antenna [x50]	PARANTCW1TY	M404, M524, M635	Datasheet

Single quantity M-SoM units and developer kits include a PARANTCW1EA antenna. Tray quantities of the M-SoM do not include antennas.

Dimension	Value	Unit
Length	116.0	mm
Width	27.0	mm
Thickness	0.2	mm
Cable Length	189.5	mm

Parameter	700/850/900	1700/1800/1900	2100	2400	2600	Unit
Peak gain						
PARANTCW1EA	2.8	5.3	5.3	5.3	5.3	dBi

CERTIFIED WI-FI/BLE ANTENNAS

The M-SoM is certified for use with the same antennas as the P2/Photon 2. The same antenna is shared for Wi-Fi and BLE. Unlike the P2/Photon 2, the external antenna is required for Wi-Fi and BLE and the M-SoM does not include a built-in trace antenna on the module.

Antenna	SKU	Links
Particle P2/Photon2 Wi-Fi Antenna 2.4/5GHz, [x1]	PARANTWM1EA	Datasheet Retail Store
Particle P2/Photon2 Wi-Fi Antenna 2.4/5GHz, [x50]	PARANTWM1TY	Datasheet

Single quantity M-SoM units and developer kits include a PARANTWM1EA antenna. Tray quantities of the M-SoM do not include antennas.

Do not use the Argon Wi-Fi/BLE antenna (ANT-FLXV2) on the P2, Photon 2, or M-SoM. The Argon antenna does not work with 5 GHz and this will result in poor Wi-Fi performance on the P2, Photon 2, and M-SoM.

CERTIFIED GNSS ANTENNAS

SKU	Description	
PARANTGN1EA	Particle GNSS FPC Antenna, [x1]	Datasheet
PARANTGN1TY	Particle GNSS FPC Antenna, [x50]	Datasheet

Single quantity M-SoM units and developer kits include a PARANTGN1EA antenna. Tray quantities of the M-SoM do not include antennas. If not using the GNSS feature, the antenna can be omitted from your design.

- GNSS support will be added in a future version of Device OS. A [user firmware library](#) is available now for the M404.
- Feature such of high-precision, dead-reckoning, and high updates rates will require an external

GNSS chip.

GENERAL ANTENNA GUIDANCE

- The antenna placement needs to follow some basic rules, as any antenna is sensitive to its environment. Mount the antenna at least 10mm from metal components or surfaces, ideally 20mm for best radiation efficiency, and try to maintain a minimum of three directions free from obstructions to be able to operate effectively.
- Needs tuning with actual product enclosure and all components.

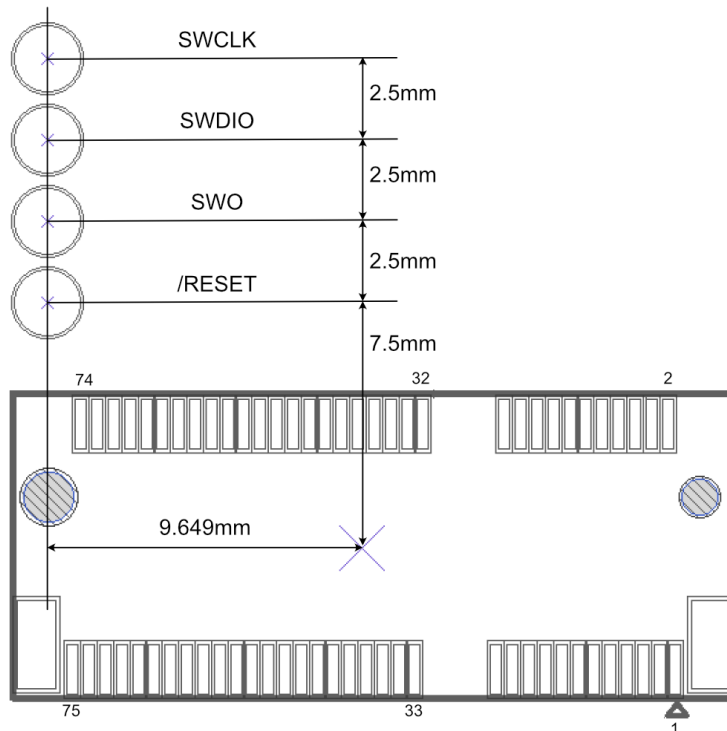
PERIPHERALS AND GPIO

Peripheral Type	Qty	Input(I) / Output(O)
Digital	30 (max)	I/O
Analog (ADC)	8 (max)	I
UART	2	I/O
SPI	2	I/O
I2C	1	I/O
USB	1	I/O
PWM	11 (max)	O

Note: All GPIOs are only rated at 3.3VDC max.

JTAG AND SWD

The M-SoM has 4 pads at the bottom exposing the SWD interface of the MCU. This interface can be used to debug your code or reprogram your SoM bootloader, device OS, or the user firmware. We use 4 pogo-pins connecting to these pads during production for firmware flashing.



Additionally, SWD is supported on pins on the M.2 connector:

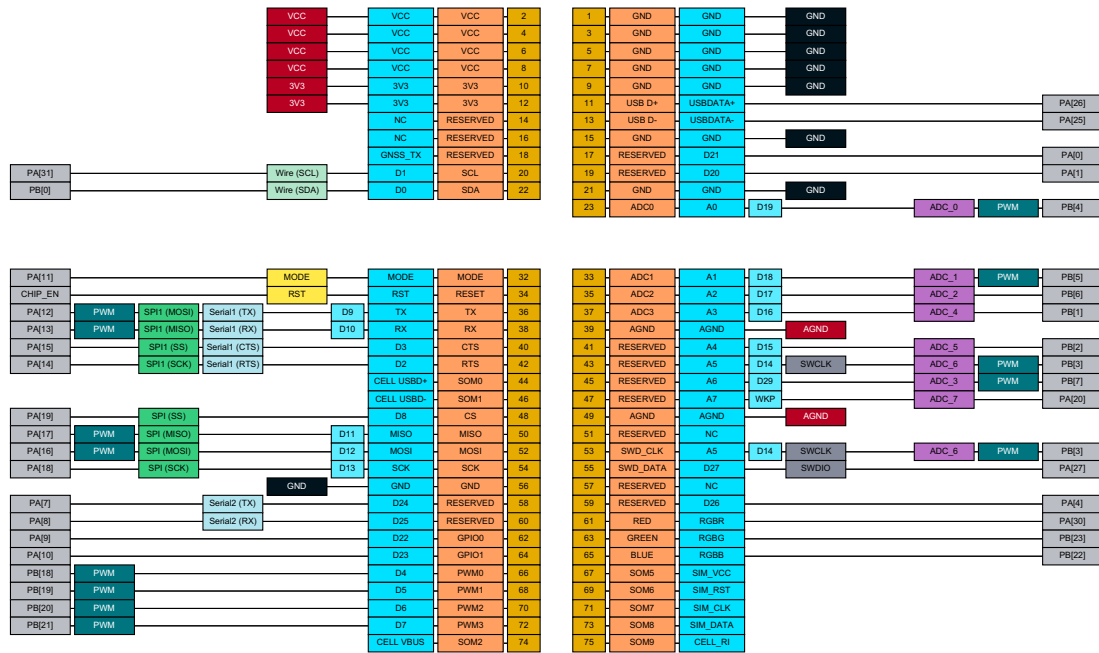
Pin	Pin Name	Description	Interface	MCU
-----	----------	-------------	-----------	-----

43	A5 / D14	A5 Analog in, PWM, GPIO, shared with pin 53	SWCLK	PB[3]
53	A5 / D14	A5 Analog in, PWM, GPIO, SWCLK, shared with pin 43	SWCLK	PB[3]
55	D27	D27 GPIO, SWDIO (SWD_DATA), do not pull down at boot	SWDIO	PA[27]

- SWD is on the same pins as GPIO, so by default once user firmware boots, SWD is no longer available unless SWD is enabled at compile time. This is the same as Gen 2 (STM32) but different than Gen 3 (nRF52840).
- SWO (Serial Wire Output) is not supported on the RTL8722DM.
- Pins 43 and 53 are shared

Pin information

PINOUT DIAGRAM



PIN FUNCTION BY PIN NAME

Pin Name	Module Pin		PWM	MCU
A0 / D19	23	ADC_0	✓	PB[4]
A1 / D18	33	ADC_1	✓	PB[5]
A2 / D17	35	ADC_2		PB[6]
A3 / D16	37	ADC_4		PB[1]
A4 / D15	41	ADC_5		PB[2]
A5 / D14	43	ADC_6 SWCLK	✓	PB[3]
A5 / D14	53	ADC_6 SWCLK	✓	PB[3]
A6 / D29	45	ADC_3	✓	PB[7]
A7 / WKP	47	ADC_7		PA[20]
CELL USBD-	46			
CELL USBD+	44			
CELL VBUS	74			
CELL_RI	75			
D0	22	Wire (SDA)		PB[0]
D1	20	Wire (SCL)		PA[31]
D2	42	SPI1 (SCK) Serial1 (RTS)		PA[14]
D3	40	SPI1 (SS) Serial1 (CTS)		PA[15]
D4	66		✓	PB[18]
D5	68		✓	PB[19]
D6	70		✓	PB[20]
D7	72		✓	PB[21]
D8	48	SPI (SS)		PA[19]
D20	19			PA[1]

D21	17				PA[0]
D22	62				PA[9]
D23	64				PA[10]
D24	58		Serial2 (TX)		PA[7]
D25	60		Serial2 (RX)		PA[8]
D26	59				PA[4]
D27	55	SWDIO			PA[27]
GNSS_TX	18				
MISO / D11	50		SPI (MISO)	✓	PA[17]
MOSI / D12	52		SPI (MOSI)	✓	PA[16]
NC	14				
RGBB	65				PB[22]
RGBG	63				PB[23]
RGBR	61				PA[30]
RX / D10	38		SPI1 (MISO) Serial1 (RX)	✓	PA[13]
SCK / D13	54		SPI (SCK)		PA[18]
SIM_CLK	71				
SIM_DATA	73				
SIM_RST	69				
SIM_VCC	67				
TX / D9	36		SPI1 (MOSI) Serial1 (TX)	✓	PA[12]
USBDATA-	13				PA[25]
USBDATA+	11				PA[26]

PIN FUNCTION BY M.2 PIN

Module Pin	Pin Name			PWM	MCU
11	USBDATA+				PA[26]
13	USBDATA-				PA[25]
14	NC				
17	D21				PA[0]
18	GNSS_TX				
19	D20				PA[1]
20	D1	Wire (SCL)			PA[31]
22	D0	Wire (SDA)			PB[0]
23	A0 / D19	ADC_0		✓	PB[4]
33	A1 / D18	ADC_1		✓	PB[5]
35	A2 / D17	ADC_2			PB[6]
36	TX / D9		SPI1 (MOSI) Serial1 (TX)	✓	PA[12]
37	A3 / D16	ADC_4			PB[1]
38	RX / D10		SPI1 (MISO) Serial1 (RX)	✓	PA[13]
40	D3		SPI1 (SS) Serial1 (CTS)		PA[15]
41	A4 / D15	ADC_5			PB[2]
42	D2		SPI1 (SCK) Serial1 (RTS)		PA[14]
43	A5 / D14	ADC_6 SWCLK		✓	PB[3]
44	CELL USBD+				

45	A6 / D29	ADC_3		✓	PB[7]
46	CELL USBD-				
47	A7 / WKP	ADC_7			PA[20]
48	D8		SPI (SS)		PA[19]
50	MISO / D11		SPI (MISO)	✓	PA[17]
52	MOSI / D12		SPI (MOSI)	✓	PA[16]
53	A5 / D14	ADC_6	SWCLK	✓	PB[3]
54	SCK / D13		SPI (SCK)		PA[18]
55	D27		SWDIO		PA[27]
58	D24				Serial2 (TX) PA[7]
59	D26				PA[4]
60	D25				Serial2 (RX) PA[8]
61	RGBR				PA[30]
62	D22				PA[9]
63	RGBG				PB[23]
64	D23				PA[10]
65	RGBB				PB[22]
66	D4			✓	PB[18]
67	SIM_VCC				
68	D5			✓	PB[19]
69	SIM_RST				
70	D6			✓	PB[20]
71	SIM_CLK				
72	D7			✓	PB[21]
73	SIM_DATA				
74	CELL VBUS				
75	CELL_RI				

GPIO (DIGITAL I/O)

Pin	M-SoM Pin Name	M-SoM GPIO	MCU	Special boot function
17	D21	✓	PA[0]	
19	D20	✓	PA[1]	
20	D1	✓	PA[31]	
22	D0	✓	PB[0]	
23	A0 / D19	✓	PB[4]	
33	A1 / D18	✓	PB[5]	
35	A2 / D17	✓	PB[6]	
36	TX / D9	✓	PA[12]	
37	A3 / D16	✓	PB[1]	
38	RX / D10	✓	PA[13]	
40	D3	✓	PA[15]	
41	A4 / D15	✓	PB[2]	
42	D2	✓	PA[14]	
43	A5 / D14	✓	PB[3]	SWCLK. 40K pull-down at boot.
45	A6 / D29	✓	PB[7]	

47	A7 / WKP	✓	PA[20]	
48	D8	✓	PA[19]	
50	MISO / D11	✓	PA[17]	
52	MOSI / D12	✓	PA[16]	
53	A5 / D14	✓	PB[3]	SWCLK. 40K pull-down at boot.
54	SCK / D13	✓	PA[18]	
55	D27	✓	PA[27]	SWDIO. 40K pull-up at boot. Low at boot triggers MCU test mode.
58	D24	✓	PA[7]	Low at boot triggers ISP flash download
59	D26	✓	PA[4]	
60	D25	✓	PA[8]	Goes high at boot
62	D22	✓	PA[9]	
64	D23	✓	PA[10]	
66	D4	✓	PB[18]	
68	D5	✓	PB[19]	
70	D6	✓	PB[20]	
72	D7	✓	PB[21]	

- All GPIO are 3.3V only and are not 5V tolerant
- The drive strength is 4 mA per pin in normal drive and 12 mA per pin in high drive mode on the M-SoM.
- There is a maximum of 200 mA across all pins. The total maximum could be further limited by your 3.3V regulator.
- Drive strength selection using [pinSetDriveStrength](#) is only available in Device OS 5.5.0 and later on the M-SoM.

Certain GPIO will change state at boot, or cause the MCU to enter a special mode. See the [boot mode pins](#) section, below, for more information.

ADC (ANALOG TO DIGITAL CONVERTER)

Pin	Pin Name	Description	Interface	MCU
23	A0 / D19	A0 Analog in, GPIO, PWM	ADC_0	PB[4]
33	A1 / D18	A1 Analog in, GPIO, PWM	ADC_1	PB[5]
35	A2 / D17	A2 Analog in, GPIO	ADC_2	PB[6]
37	A3 / D16	A3 Analog in, PDM CLK, GPIO	ADC_4	PB[1]
41	A4 / D15	A4 Analog in, PDM DAT, GPIO	ADC_5	PB[2]
43	A5 / D14	A5 Analog in, PWM, GPIO, shared with pin 53	ADC_6	PB[3]
45	A6 / D29	A6 Analog in, GPIO, PWM, M.2 eval PMIC INT	ADC_3	PB[7]
47	A7 / WKP	A7 Analog In, WKP, GPIO D28	ADC_7	PA[20]
53	A5 / D14	A5 Analog in, PWM, GPIO, SWCLK, shared with pin 43	ADC_6	PB[3]

- ADC inputs are single-ended and limited to 0 to 3.3V
- Resolution is 12 bits
- SoM pin 43 (A5) on the M-SoM is shared with SoM pin 53 (SWD_CLK). You cannot use A5 and SWD at the same time. If you implement SWD on your base board, driving pin A6 will prevent SWD from functioning. The SWD_CLK will be driven at boot by the MCU.

The ADCs on the M-SoM (RTL872x) have a lower impedance than other Particle device MCUs (nRF52, STM32F2xx). They require a stronger drive and this may cause issues when used with a

voltage divider. This is particularly true for A7, which has an even lower impedance than other ADC inputs.

For signals that change slowly, such as NTC thermocouple resistance, you can add a 2.2 uF capacitor to the signal. For rapidly changing signals, a voltage follower IC can be used.

UART SERIAL

Pin	Pin Name	Description	Interface	MCU
36	TX / D9	Serial TX, PWM, GPIO, SPI1 MOSI, I2S MCLK	Serial1 (TX)	PA[12]
38	RX / D10	Serial RX, PWM, GPIO, SPI1 MISO	Serial1 (RX)	PA[13]
40	D3	D3 GPIO, Serial1 CTS flow control (optional), SPI1 SS	Serial1 (CTS)	PA[15]
42	D2	D2 GPIO, Serial RTS flow control (optional), SPI1 SCK	Serial1 (RTS)	PA[14]
58	D24	D24 GPIO, Serial2 TX, do not pull down at boot	Serial2 (TX)	PA[7]
60	D25	GPIO25, Serial2 RX	Serial2 (RX)	PA[8]

- The UART pins are 3.3V and must not be connected directly to a RS-232C port or to a 5V TTL serial port
- Hardware flow control is optional; if not used then the RTS and CTS pins can be used as regular GPIO
- Serial1 uses the RTL872x UART_LOG peripheral
- Serial2 uses the RTL872x HS_UART0 peripheral
- Supported baud rates: 110, 300, 600, 1200, 2400, 4800, 9600, 14400, 19200, 28800, 38400, 57600, 76800, 115200, 128000, 153600, 230400, 380400, 460800, 500000, 921600, 1000000, 1382400, 1444400, 1500000, 1843200, 2000000, 2100000, 2764800, 3000000, 3250000, 3692300, 3750000, 4000000, 6000000

SPI

Pin	Pin Name	Description	Interface	MCU
36	TX / D9	Serial TX, PWM, GPIO, SPI1 MOSI, I2S MCLK	SPI1 (MOSI)	PA[12]
38	RX / D10	Serial RX, PWM, GPIO, SPI1 MISO	SPI1 (MISO)	PA[13]
40	D3	D3 GPIO, Serial1 CTS flow control (optional), SPI1 SS	SPI1 (SS)	PA[15]
42	D2	D2 GPIO, Serial RTS flow control (optional), SPI1 SCK	SPI1 (SCK)	PA[14]
48	D8	D8 GPIO, SPI SS	SPI (SS)	PA[19]
50	MISO / D11	D11 GPIO, PWM, SPI MISO	SPI (MISO)	PA[17]
52	MOSI / D12	D12 GPIO, PWM, SPI MOSI	SPI (MOSI)	PA[16]
54	SCK / D13	D13 GPIO, SPI SCK	SPI (SCK)	PA[18]

- The SPI port is 3.3V and must not be connected directly to devices that drive MISO at 5V
- If not using a SPI port, its pins can be used as GPIO
- Any pins can be used as the SPI chip select
- Multiple devices can generally share a single SPI port
- SPI uses the RTL872x SPI0 peripheral (50 MHz maximum speed)
- SPI1 uses the RTL872x SPI1 peripheral (25 MHz maximum speed)
- Note: The P2/Photon 2 maximum speeds for SPI and SPI1 are reversed from the M-SoM

Even though the B-SoM and M-SoM both have two SPI interfaces, note that the M-SoM SPI1 is on different pins.

Pin	B-SoM Pin Name	B-SoM SPI	M-SoM Pin Name	M-SoM SPI
-----	----------------	-----------	----------------	-----------

36	TX / D9		TX / D9	SPI1 (MOSI)
38	RX / D10		RX / D10	SPI1 (MISO)
40	D3	SPI1 (MOSI)	D3	SPI1 (SS)
42	D2	SPI1 (SCK)	D2	SPI1 (SCK)
48	D8	SPI (SS)	D8	SPI (SS)
50	MISO / D11	SPI (MISO)	MISO / D11	SPI (MISO)
52	MOSI / D12	SPI (MOSI)	MOSI / D12	SPI (MOSI)
54	SCK / D13	SPI (SCK)	SCK / D13	SPI (SCK)
66	D4	SPI1 (MISO)	D4	

I2C

Pin	Pin Name	Description	Interface	MCU
20	D1	D1 GPIO, I2C SCL	Wire (SCL)	PA[31]
22	D0	D0 GPIO, I2C SDA	Wire (SDA)	PB[0]

- The I2C port is 3.3V and must not be connected directly a 5V I2C bus
- Maximum bus speed is 400 kHz
- External pull-up resistors are required for I2C

PWM

Pin	Pin Name	Description	MCU
23	A0 / D19	A0 Analog in, GPIO, PWM	PB[4]
33	A1 / D18	A1 Analog in, GPIO, PWM	PB[5]
36	TX / D9	Serial TX, PWM, GPIO, SPI1 MOSI, I2S MCLK	PA[12]
38	RX / D10	Serial RX, PWM, GPIO, SPI1 MISO	PA[13]
43	A5 / D14	A5 Analog in, PWM, GPIO, shared with pin 53	PB[3]
45	A6 / D29	A6 Analog in, GPIO, PWM, M.2 eval PMIC INT	PB[7]
50	MISO / D11	D11 GPIO, PWM, SPI MISO	PA[17]
52	MOSI / D12	D12 GPIO, PWM, SPI MOSI	PA[16]
53	A5 / D14	A5 Analog in, PWM, GPIO, SWCLK, shared with pin 43	PB[3]
66	D4	D4 GPIO, PWM	PB[18]
68	D5	D5 GPIO, PWM, I2S TX	PB[19]
70	D6	D6 GPIO, PWM, I2S CLK	PB[20]
72	D7	D7 GPIO, PWM, I2S WS	PB[21]

- All available PWM pins on the M-SoM share a single timer. This means that they must all share a single frequency, but can have different duty cycles.

PDM

Pulse density modulation digital microphones can be used with the [Microphone_PDM](#) library and the M-SoM, but only on specific pins:

Pin	Pin Name	Description	MCU
37	A3 / D16	A3 Analog in, PDM CLK, GPIO	PB[1]
41	A4 / D15	A4 Analog in, PDM DAT, GPIO	PB[2]

USB

The M-SoM supports a USB interface for programming the device and for USB serial (CDC) communications. The module itself does not contain a USB connector; you typically add a micro USB or USB C connector on your base board. It is optional but recommended.

Pin	Pin Name	Description	MCU
11	USBDATA+	USB Data+	PA[26]
13	USBDATA-	USB Data-	PA[25]
44	CELL USBD+	Cellular Modem USB Data+	
46	CELL USBD-	Cellular Modem USB Data-	

- The CELL USB connector does not need to be populated on your board. It is used for reprogramming the cellular modem firmware, which is rarely done as it often requires recertification of the device.

RGB LED

The M-SoM supports an external common anode RGB LED.

One common LED that meets the requirements is the [Cree CLMVC-FKA-CLID1L71BB7C3C3](#) which is inexpensive and easily procured. You need to add three current limiting resistors. With this LED, we typically use 1K ohm current limiting resistors. These are much larger than necessary. They make the LED less blinding but still provide sufficient current to light the LEDs. If you want maximum brightness you should use the calculated values - 33 ohm on red, and 66 ohm on green and blue.

A detailed explanation of different color codes of the RGB system LED can be found [here](#).

The use of the RGB LED is optional, however it is highly recommended as troubleshooting the device without the LED is very difficult.

Pin	Pin Name	Description	MCU
61	RGBR	RGB LED Red	PA[30]
63	RGBG	RGB LED Green	PB[23]
65	RGBB	RGB LED Blue	PB[22]

- On the M-SoM, Pin RGBR (PA[30]) has a 10K hardware pull-up in the module because it's a trap pin that controls the behavior of the internal 1.1V regulator. This does not affect the RGB LED but could affect your design if you are repurposing this pin as GPIO. You must not hold this pin low at boot.

BOOT MODE PINS

These pins have a special function at boot. Beware when using these pins as input as they can trigger special modes in the MCU.

Pin	Pin Name	Description	MCU
43	A5 / D14	SWCLK. 40K pull-down at boot.	PB[3]
53	A5 / D14	SWCLK. 40K pull-down at boot.	PB[3]
55	D27	SWDIO. 40K pull-up at boot. Low at boot triggers MCU test mode.	PA[27]
58	D24	Low at boot triggers ISP flash download	PA[7]

60	D25	Goes high at boot	PA[8]
61	RGBR	Low at boot triggers trap mode	PA[30]

BLE (BLUETOOTH LE)

If you wish to use Wi-Fi on the M-SoM you will need to provide a way to configure it. Wi-Fi setup works the same as the P2, Photon 2, and Argon, and uses BLE. See [Wi-Fi setup options](#) for more information.

BLE 5.3 BLE Central Mode and BLE Peripheral Mode are supported.

Full-speed BLE modes such as A2DP used for BLE audio are not supported.

Wi-Fi and BLE share the same antenna so you do not need to include a separate antenna to use both.

SLEEP

The M-SoM can wake from `STOP` or `ULTRA_LOW_POWER` sleep mode on any GPIO, `RISING`, `FALLING`, or `CHANGE`.

The M-SoM can only wake from `HIBERNATE` sleep mode on pin A7 (WKP), `RISING`, `FALLING`, or `CHANGE`.

The M-SoM preserves the state of outputs during `STOP` or `ULTRA_LOW_POWER` sleep mode. In `HIBERNATE`, outputs are high-impedance.

Most pins can use `INPUT_PULLUP` or `INPUT_PULLEDOWN` in sleep modes. The exception is `HIBERNATE` sleep mode where pin D21 can only use an external hardware pull-up or pull down.

Pin	Pin Name	Description	Interface	MCU
17	D21	D21 GPIO, I2S RX	No internal pull up or pull down in HIBERNATE sleep mode.	PA[0]
47	A7 / WKP	A7 Analog In, WKP, GPIO D28	Only this pin can wake from HIBERNATE sleep mode.	PA[20]

SETUP AND RESET BUTTON

It is highly recommended that you add `MODE` (SETUP) and `RESET` buttons to your base board using momentary switches that connect to GND. These are necessary to change the operating mode of the device, for example to enter listening or DFU mode.

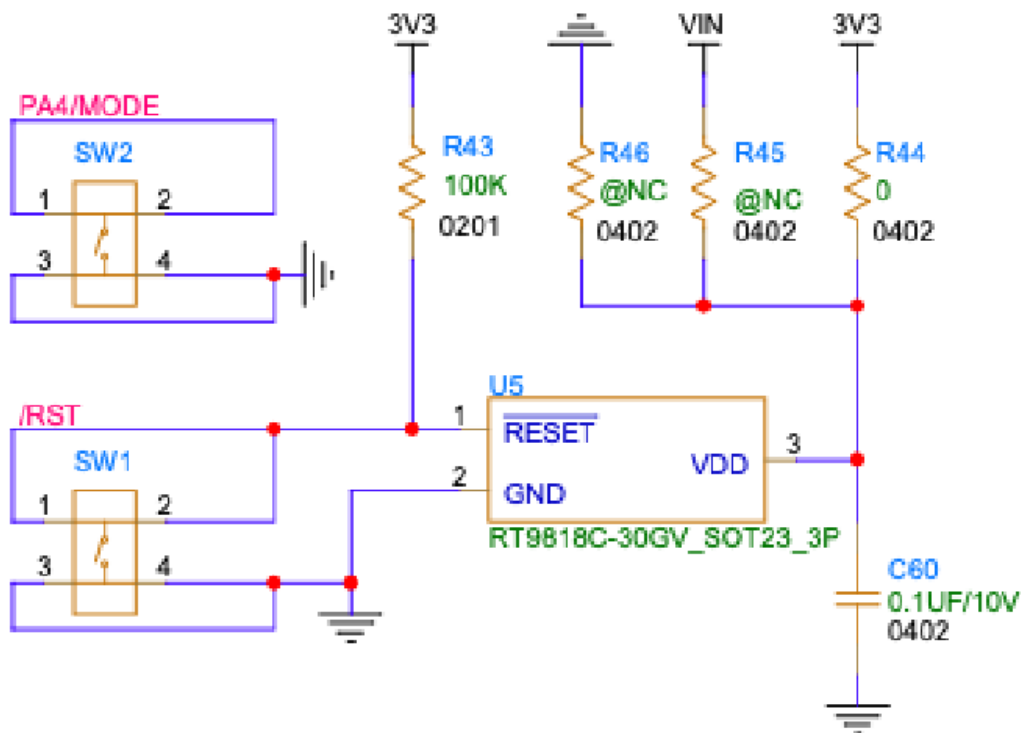
Pin	Pin Name	Description	MCU
34	RST	Hardware reset. Pull low to reset; can leave unconnected in normal operation.	CHIP_EN
46	MODE	MODE button. Pin number constant is BTN. External pull-up required!	PA[4]

The `MODE` button does not have a hardware pull-up on it, so you must add an external pull-up (2.2K to 10K) to 3V3, or connect it to 3V3 if not using a button.

The `RST` pin does have an internal weak pull-up, but you may want to add external pull-up on that as well, especially if you use an off-board reset button connected by long wires.

SUPERVISORY RESET

In many cases, it may be desirable to include a supervisory reset IC in your design. The design below is from the Photon 2 and uses the small and inexpensive Richtec RT9818C. This chip will hold the MCU in reset until there is sufficient voltage to successfully boot. This can be helpful if your power supply cannot guarantee a sufficient slew rate.



Of note in this design, the VDD pin of the RT9818C is connected to 3V3. The design is configurable by moving a zero-ohm resistor to disable supervisory reset (by connecting to GND) or to use VIN. Note that the RT9818C has a maximum input voltage of 6V which is compatible with the Photon 2. Keep this in mind if using VIN on designs that have larger VIN voltages.

Of course you can simply wire VDD to 3V3 instead of including the configurable resistors.

PMIC NOTES

When using the M-SoM with a bq24195 PMIC, note the following:

By default, the bq24195 sets the input current limit, which affects powering by VIN and VUSB, to 100 mA. This affects the VSYS output of the PMIC, which powers both the cellular modem and 3V3 supply, and is not enough to power the M-SoM in normal operation.

If your device has the default firmware (Tinker), it will attempt to connect to the cloud, brown out due to insufficient current, then the device will reset. This may result in what appears to be the status LED blinking white, but is actually rolling reboot caused by brownout.

A factory new M-SoM does not enable the PMIC setup. To enable the use of the bq21415, you must enable the system power feature [PMIC_DETECTION](#) in your code. This defaults to off because the M-SoM can be used without a PMIC, or with a different PMIC, and also requires I2C on D0/D1, and some base boards may use those pins as GPIO.

Because the input current limit does not affect the battery input (Li+), for troubleshooting purposes it can be helpful to attach a battery to help rule out input current limit issues. It's also possible to supply 3.7V via a bench power supply to the battery input, instead of VIN.

The input current limit can result in a situation where you can't bring up a M-SoM because it browns out continuously, but also cannot flash code to it to stop if from browning out. There are two general solutions:

- Attach a battery or supply by Li+ when bringing up a board.
- Use SWD/JTAG and reset halt the MCU. This will prevent it from connecting to the cloud, so you can flash Device OS and firmware to it by SWD.

The input current limit is actually controlled by three factors:

- The [power source max current setting](#) in the PMIC. The default is 900 mA. It can be set to 100, 150, 500, 900, 1200, 1500, 2000, or 3000 mA.
- It is also limited by the hardware ILIM resistor. On Particle devices with a built-in PMIC, this is set to 1590 mA, but if you are implementing your own PMIC hardware, you can adjust this higher.
- When connected by USB, it will use DPDM, current negotiation via the USB DP (D+) and DM (D-) lines.

Note that some 2A tablet chargers and multi-port USB power supplies supply 2A but do not implement DPDM; these will be treated as if VIN was used, and you must set the power source current, otherwise the input current will be limited to 900 mA, which is not enough to power a 2G/3G cellular modem without an attached battery.

CELLULAR MODEM USB PINS

The cellular modem USB pins are optional on custom base boards. These pins are used for low-level diagnostics and reprogramming the cellular modem firmware.

Note, however, the Particle has never done a cellular modem firmware upgrade in the field because doing so generally requires recertification, and is there is a high likelihood that the upgrade will fail, rendering the modem unusable.

Cellular modem could be reprogrammed by removing the SoM from your board and putting it in the M.2 SoM breakout board, which has the cellular modem USB connector.

#	Pin	Common	Function	nRF52	Description
44	Quectel USB D+	SOM0	IO		Data+ pin of the cellular modem USB port.
46	Quectel USB D-	SOM1	IO		Data- pin of the cellular modem USB port.
74	Quectel VBUS	SOM2 ³	IO		USB detect pin for cellular modem. 5V on this pin enables the Quectel USB interface.
75	Quectel RI	SOM9 ⁴	IO		Ring indicator

SIM PINS

- The SIM pins should be left unconnected
- You cannot use these pins for an external SIM card, despite their names

Pin	Pin Name	Description
69	SIM_RST	Leave unconnected, 1.8V/3V SIM Reset Output from cellular modem.
71	SIM_CLK	Leave unconnected, 1.8V/3V SIM Clock Output from cellular modem.
73	SIM_DATA	Leave unconnected, 1.8V/3V SIM Data I/O of cellular modem with internal 4.7 k pull-up.

Technical specification

{{!--

RECOMMENDED OPERATING CONDITIONS

Parameter	Symbol	Min	Typ	Max	Unit
Operating Temperature	T _{op}	-20		+70	°C
Humidity Range Non condensing, relative humidity				95	%

--}}

I/O CHARACTERISTICS

Parameter	Symbol	Min	Typ	Peak	Unit
Input-High Voltage	V _{IH}	2.0			V
Input-Low Voltage	V _{IL}		0.8		V
Output drive strength (normal drive)			4		mA
Output drive strength (high drive)			12		mA
Total output drive (all pins)			200		mA

POWER CONSUMPTION (M524)

Parameter	Symbol	Min	Typ	Peak	Unit
Operating current (uC on, peripherals and radio disabled)	I _{idle}	26.4	26.6	26.9	mA
Operating current (uC on, BLE advertising)	I _{ble_adv}	62.9	66.1	84.2	mA
Operating current (uC on, BLE connected but idle)	I _{ble_conn_idle}	62.4	66.7	74	mA
Operating current (uC on, BLE scanning)	I _{ble_scan}	50.5	57.2	87.7	mA
Operating current (uC on, cellular on but not connected)	I _{cell_idle}	36.7	44.4	907	mA
Operating current (uC on, cellular connecting to cloud)	I _{cell_conn_cloud}	40.2	97.4	840	mA
Operating current (uC on, cellular connected but idle)	I _{cell_cloud_idle}	37	43.1	132	mA
Operating current (uC on, cellular connected and transmitting)	I _{cell_cloud_tx}	39.9	164	851	mA
Operating current (uC on, Wi-Fi on but not connected)	I _{wifi_idle}	26.1	26.3	26.6	mA
Operating current (uC on, Wi-Fi connecting to access point)	I _{wifi_conn_ap}	44.3	67.3	298	mA
Operating current (uC on, Wi-Fi connecting to cloud)	I _{wifi_conn_cloud}	61	68.2	357	mA
Operating current (uC on, Wi-Fi connected but idle)	I _{wifi_cloud_idle}	61.9	64.1	68.4	mA
Operating current (uC on, Wi-Fi connected and transmitting)	I _{wifi_cloud_tx}	60.1	64.8	309	mA
STOP mode sleep, GPIO wake-up	I _{stop_gpio}	419	421	425	uA
STOP mode sleep, RTC wake-up	I _{stop_intrtc}	412	415	418	uA
ULP mode sleep, GPIO wake-up	I _{ulp_gpio}	419	421	425	uA
ULP mode sleep, RTC wake-up	I _{ulp_intrtc}	412	415	418	uA
HIBERNATE mode sleep, GPIO wake-up	I _{hib_gpio}	23.9	26.1	28.6	uA
HIBERNATE mode sleep, RTC wake-up	I _{hib_intrtc}	24.5	26.5	28.1	uA

¹The min, and particularly peak, values may consist of very short transients. The typical (typ) values are the best indicator of overall power consumption over time. The peak values indicate the absolute minimum capacity of the power supply necessary, not overall consumption.

POWER CONSUMPTION (M404)

Parameter	Symbol	Min	Typ	Peak	Unit
Operating current (uC on, peripherals and radio disabled)	I _{idle}	27.7	27.9	28.1	mA
Operating current (uC on, BLE advertising)	I _{ble_adv}	65.5	69.5	85.9	mA
Operating current (uC on, BLE connected but idle)	I _{ble_conn_idle}	65.5	70.1	77	mA
Operating current (uC on, BLE scanning)	I _{ble_scan}	52.6	60.5	91.1	mA
Operating current (uC on, cellular connected and transmitting)	I _{cell_cloud_tx}	36.2	159	816	mA
Operating current (uC on, cellular on but not connected using LTE Cat M1)	I _{cell_idle_catm1}	41.5	46.7	217	mA
Operating current (uC on, cellular connecting to tower using LTE Cat M1)	I _{cell_conn_twr_catm1}	39.8	43.9	131	mA
Operating current (uC on, cellular connecting to cloud using LTE Cat M1)	I _{cell_conn_cloud_catm1}	39.7	83.5	181	mA
Operating current (uC on, cellular connected but idle using LTE Cat M1)	I _{cell_cloud_idle_catm1}	41.8	44.5	155	mA
Operating current (uC on, cellular connected and transmitting using LTE Cat M1)	I _{cell_cloud_tx_catm1}	40.1	83.6	177	mA
Operating current (uC on, cellular on but not connected using 2G)	I _{cell_idle_2g}	38.9	44.7	1700	mA
Operating current (uC on, cellular connecting to tower using 2G)	I _{cell_conn_twr_2g}	36.9	128	1700	mA
Operating current (uC on, cellular connecting to cloud using 2G)	I _{cell_conn_cloud_2g}	35.9	98.3	1740	mA
Operating current (uC on, cellular connected but idle using 2G)	I _{cell_cloud_idle_2g}	35.8	40.3	114	mA
Operating current (uC on, cellular connected and transmitting using 2G)	I _{cell_cloud_tx_2g}	32	152	1720	mA
Operating current (uC on, Wi-Fi on but not connected)	I _{wifi_idle}	27.3	30.4	101	mA
Operating current (uC on, Wi-Fi connecting to access point)	I _{wifi_conn_ap}	25.4	68.9	353	mA
Operating current (uC on, Wi-Fi connecting to cloud)	I _{wifi_conn_cloud}	59.8	109	469	mA
Operating current (uC on, Wi-Fi connected but idle)	I _{wifi_cloud_idle}	61.6	64.5	184	mA
Operating current (uC on, Wi-Fi connected and transmitting)	I _{wifi_cloud_tx}	60.7	64.9	349	mA
STOP mode sleep, GPIO wake-up	I _{stop_gpio}	542	547	551	uA
STOP mode sleep, RTC wake-up	I _{stop_inrtc}	512	515	518	uA
ULP mode sleep, GPIO wake-up	I _{ulp_gpio}	542	547	551	uA
ULP mode sleep, RTC wake-up	I _{ulp_inrtc}	512	515	518	uA
HIBERNATE mode sleep, GPIO wake-up	I _{hib_gpio}	41.9	44	45.8	uA
HIBERNATE mode sleep, RTC wake-up	I _{hib_inrtc}	41.1	43.4	45.3	uA

¹The min, and particularly peak, values may consist of very short transients. The typical (typ) values are the best indicator of overall power consumption over time. The peak values indicate the absolute minimum capacity of the power supply necessary, not overall consumption.

POWER CONSUMPTION (M635)

To be determined at a later date. When operated on LTE Cat M1 or 2G, should be similar to M404.

RADIO SPECIFICATIONS

Realtek RTL872x for Wi-Fi 2.4 GHz

Feature	Description	Minimum	Typical	Maximum	Unit
---------	-------------	---------	---------	---------	------

Frequency Range	Center channel	2412	-	2484	MHz
Output power	1 Mbps CCK	-	20	21	dBm
	11 Mbps CCK	-	18	21	dBm
	BPSK rate 1/2, 6Mbps OFDM	-	20	21	dBm
	64QAM rate 3/4, 54Mbps OFDM	-	17	18	dBm
	HT20-MCS 0, BPSK rate 1/2	-	19	20	dBm
	HT20-MCS 7, 64QAM rate 5/6	-	16	17	dBm
	HT40-MCS 0, BPSK rate 1/2	-	19	20	dBm
	HT40-MCS 7, 64QAM rate 5/6	-	16	17	dBm
Tx EVM	BPSK rate 1/2, 6Mbps OFDM	-	-	-5	dB
	64QAM rate 3/4, 54Mbps OFDM	-	-	-25	dB
	HT20-MCS 0, BPSK rate 1/2	-	-	-5	dB
	HT20-MCS 7, 64QAM rate 5/6	-	-	-28	dB
	HT40-MCS 0, BPSK rate 1/2	-	-	-5	dB
	HT40-MCS 7, 64QAM rate 5/6	-	-	-28	dB
Output power variation		-1.5	-	1.5	dBm
Carrier suppression		-	-	-30	dBm

Realtek RTL872x for Wi-Fi 5 GHz

Feature	Description	Minimum	Typical	Maximum	Unit
Frequency Range	Center channel	5180	-	5825	MHz
Output power	BPSK rate 1/2, 6Mbps OFDM	-	19	19	dBm
	64QAM rate 3/4, 54Mbps OFDM	-	14	15	dBm
	HT20-MCS 0, BPSK rate 1/2	-	17	18	dBm
	HT20-MCS 7, 64QAM rate 5/6	-	13	14	dBm
	HT40-MCS 0, BPSK rate 1/2	-	17	18	dBm
	HT40-MCS 7, 64QAM rate 5/6	-	13	14	dBm
Tx EVM	BPSK rate 1/2, 6Mbps OFDM	-	-	-5	dB
	64QAM rate 3/4, 54Mbps OFDM	-	-	-25	dB
	HT20-MCS 0, BPSK rate 1/2	-	-	-5	dB
	HT20-MCS 7, 64QAM rate 5/6	-	-	-28	dB
	HT40-MCS 0, BPSK rate 1/2	-	-	-5	dB
	HT40-MCS 7, 64QAM rate 5/6	-	-	-28	dB
Output power variation		-1.5	-	1.5	dBm
Carrier suppression		-	-	-30	dBm

Realtek RTL872x for BLE

Feature	Description	Minimum	Typical	Maximum	Unit
Frequency Range		2402	-	2480	MHz
Tx Output power		-10	4.5		dBm

Cellular characteristics for BG95-M5 (M404)

Parameter	Value
Protocol stack	3GPP Release 14
RAT	LTE Cat M1

LTE FDD Bands	Band 12 (700 MHz)
	Band 13 (700 MHz)
	Band 28 (700 MHz)
	Band 20 (800 MHz)
	Band 5 (850 MHz)
	Band 26 (850 MHz)
	Band 8 (900 MHz)
	Band 4 (1700 MHz)
	Band 3 (1800 MHz)
	Band 2 (1900 MHz)
	Band 25 (1900 MHz)
	Band 1 (2100 MHz)
	Band 66 (2100 MHz)
GSM Bands	GSM850 (850 MHz)
	EGSM900 (900 MHz)
	DCS1800 (1800 MHz)
	PCS1900 (1900 MHz)
Power class	Class 4 (33dBm \pm 2dB) for GSM850
	Class 4 (33dBm \pm 2dB) for EGSM900
	Class 1 (30dBm \pm 2dB) for DCS1800
	Class 1 (30dBm \pm 2dB) for PCS1900
	Class E2 (27dBm \pm 3dB) for GSM850 8-PSK
	Class E2 (27dBm \pm 3dB) for EGSM900 8-PSK
	Class E2 (26dBm \pm 3dB) for DCS1800 8-PSK
	Class E2 (26dBm \pm 3dB) for PCS1900 8-PSK
Class 3 (23dBm \pm 2dB) for LTE FDD bands	

Cellular characteristics for EG91-EX (M524)

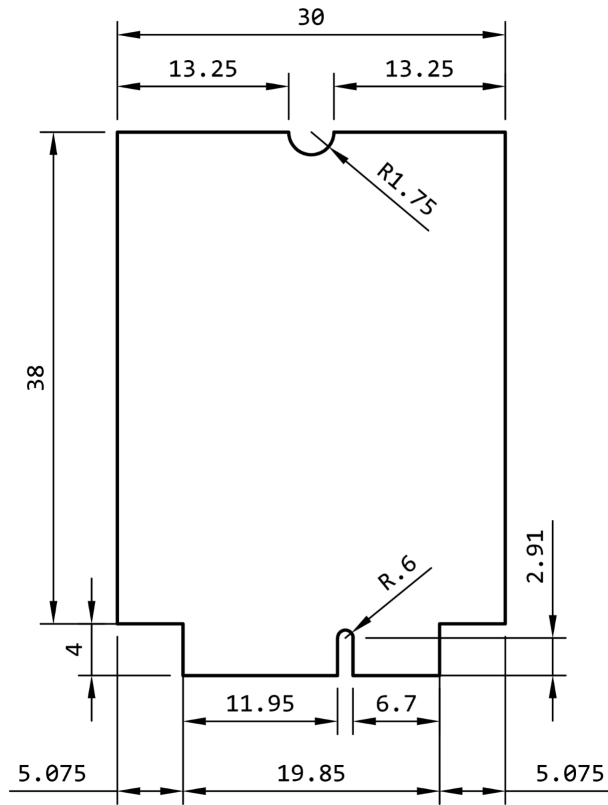
Parameter	Value
Protocol stack	3GPP Release 13
RAT	LTE Cat 1
LTE FDD Bands	Band 28A (700 MHz)
	Band 20 (800 MHz)
	Band 8 (900 MHz)
	Band 3 (1800 MHz)
	Band 1 (2100 MHz)
	Band 7 (2600 MHz)
WCDMA Bands	Band 8 (900 MHz)
	Band 1 (2100)
GSM Bands	EGSM900 (900 MHz)
	DCS1800 (1800 MHz)
Power class	Class 4 (33dBm \pm 2dB) for EGSM900
	Class 1 (30dBm \pm 2dB) for DCS1800
	Class E2 (27dBm \pm 3dB) for EGSM900 8-PSK
	Class E2 (26dBm \pm 3dB) for DCS1800 8-PSK

Class 3 (24dBm \pm 3dB) for WCDMA bands

Class 3 (23dBm \pm 2dB) for LTE FDD bands

Mechanical specifications

MECHANICAL DRAWING

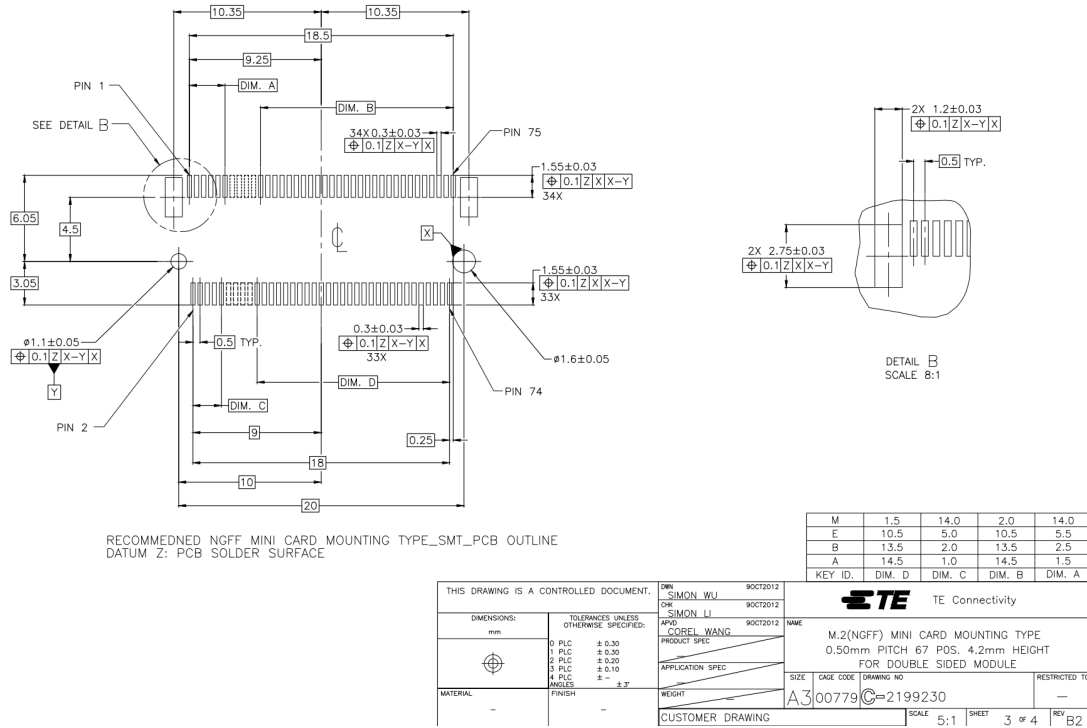


Dimensions are in millimeters.

MATING CONNECTOR AND LAND PATTERN

The mating connector is a an M.2 (NGFF) type 4. Note that there are several different key configurations for the M.2, and type 4 is different than is commonly used on SSDs.

One compatible connector is the [TE 2199230-4](#). It is widely available including at suppliers such as [DigiKey](#).



SCREW ASSEMBLY

The M.2 SoM requires a screw to hold the SoM in place because the M.2 connector does not have integrated locks and the SoM will pop up if not attached to the base board. The screw also provides better vibration resistance than locking clips.

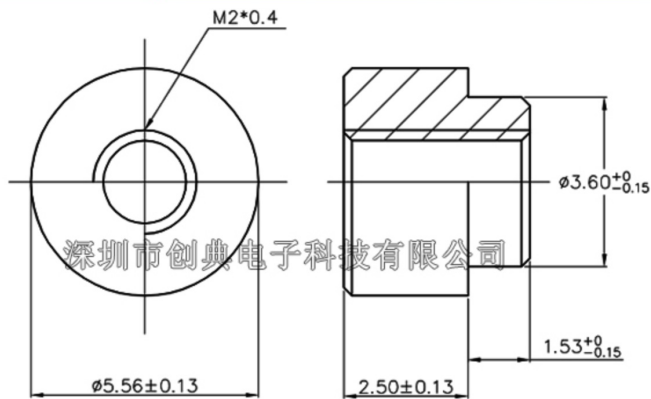
- This is one style of standoff.

宝贝实拍 PRODUCT PHOTOS



图纸参数 Drawing parameter

NGFF M.2 4.2H高配套铜柱

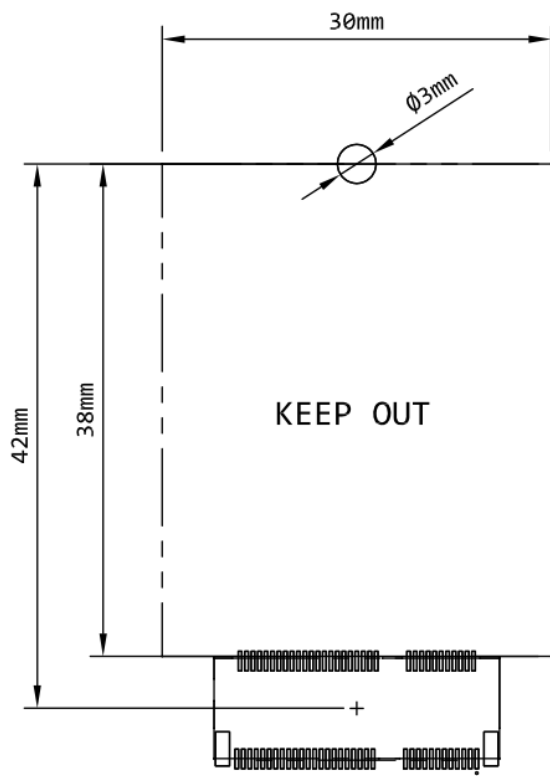


- An [alternative design](#) uses a [JAE SM3ZS067U410-NUT1-R1200](#) standoff. It's reflow soldered to your base board and has a threaded hole for a M2*3 screw to hold down the SoM. This may be easier to obtain.

The screw should be connected to the ground plane on your base board.

DESIGN CONSIDERATIONS

We strongly recommend against placing components under the SOM board because there is not enough height.



Product Handling

ESD PRECAUTIONS

The M-SoM contains highly sensitive electronic circuitry and is an Electrostatic Sensitive Device (ESD). Handling an M-SoM without proper ESD protection may destroy or damage it permanently. Proper ESD handling and packaging procedures must be applied throughout the processing, handling and operation of any application that incorporates the Particle M-SoM. ESD precautions should be implemented on the application board where the M-SoM is mounted. Failure to observe these precautions can result in severe damage to the M-SoM!

CONNECTORS

The U.FL antenna connector is not designed to be constantly plugged and unplugged. The antenna pin is static sensitive and you can destroy the radio with improper handling. A tiny dab of glue (epoxy, rubber cement, liquid tape or hot glue) on the connector can be used to securely hold the plug in place.

The M.2 edge connector is static sensitive and should be handled carefully. The M.2 connector is not designed for repeated removal and insertion of the module.

Default settings

The M-SoM comes pre-programmed with a bootloader and a user application called Tinker. This application works with an iOS and Android app also named Tinker that allows you to very easily toggle digital pins, take analog and digital readings and drive variable PWM outputs.

The bootloader allows you to easily update the user application via several different methods, USB, OTA, Serial Y-Modem, and also internally via the Factory Reset procedure. All of these methods have multiple tools associated with them as well.

FCC ISED CE Warnings and End Product Labeling Requirements

Federal Communication Commission Interference Statement This equipment has been tested and found to comply with the limits for a Class B digital device, pursuant to Part 15 of the FCC Rules. These limits are designed to provide reasonable protection against harmful interference in a residential installation. This equipment generates, uses and can radiate radio frequency energy and, if not installed and used in accordance with the instructions, may cause harmful interference to radio communications. However, there is no guarantee that interference will not occur in a particular installation. If this equipment does cause harmful interference to radio or television reception, which can be determined by turning the equipment off and on, the user is encouraged to try to correct the interference by one of the following measures:

- Reorient or relocate the receiving antenna.
- Increase the separation between the equipment and receiver.
- Connect the equipment into an outlet on a circuit different from that to which the receiver is connected.
- Consult the dealer or an experienced radio/TV technician for help.

FCC Caution: Any changes or modifications not expressly approved by the party responsible for compliance could void the user's authority to operate this equipment. This device complies with Part 15 of the FCC Rules. Operation is subject to the following two conditions:

1. This device may not cause harmful interference, and
2. This device must accept any interference received, including interference that may cause undesired operation.

FCC Radiation Exposure Statement: This equipment complies with FCC radiation exposure limits set forth for an uncontrolled environment. This transmitter module must not be co-located or operating in conjunction with any other antenna or transmitter. This End equipment should be installed and operated with a minimum distance of 20 centimeters between the radiator and your body.

IMPORTANT NOTE: In the event that these conditions can not be met (for example certain laptop configurations or co-location with another transmitter), then the FCC authorization is no longer considered valid and the FCC ID can not be used on the final product. In these circumstances, the OEM integrator will be responsible for re-evaluating the end product (including the transmitter) and obtaining a separate FCC authorization.

End Product Labeling The final end product must be labeled in a visible area with the following:

- Contains FCC ID: 2AEMI-M404

Manual Information to the End User The OEM integrator has to be aware not to provide information to the end user regarding how to install or remove this RF module in the user's manual of the end product which integrates this module.

Outdoor Use (US)

To be compliant to FCC §15.407(a) the EIRP is not allowed to exceed 125 mW (21 dBm) at any elevation angle above 30° (measured from the horizon) when operated as an outdoor access point in U-NII-1 band, 5.150-5.250 GHz.

Canada Statement This device complies with Industry Canada's licence-exempt RSSs. Operation is subject to the following two conditions:

1. This device may not cause interference; and
2. This device must accept any interference, including interference that may cause undesired operation of the device.

Le présent appareil est conforme aux CNR d'Industrie Canada applicables aux appareils radio exempts de licence.

L'exploitation est autorisée aux deux conditions suivantes:

1. l'appareil ne doit pas produire de brouillage;
2. l'utilisateur de l'appareil doit accepter tout brouillage radioélectrique subi, même si le brouillage est susceptible d'en compromettre le fonctionnement.

Caution Exposure: This device meets the exemption from the routine evaluation limits in section 2.5 of RSS102 and users can obtain Canadian information on RF exposure and compliance. Le dispositif répond à l'exemption des limites d'évaluation de routine dans la section 2.5 de RSS102 et les utilisateurs peuvent obtenir des renseignements canadiens sur l'exposition aux RF et le respect.

The final end product must be labelled in a visible area with the following: The Industry Canada certification label of a module shall be clearly visible at all times when installed in the host device, otherwise the host device must be labelled to display the Industry Canada certification number of the module, preceded by the words "Contains transmitter module", or the word "Contains", or similar wording expressing the same meaning, as follows:

- Contains transmitter module ISED: 20127-M524

This End equipment should be installed and operated with a minimum distance of 20 centimeters between the radiator and your body. Cet équipement devrait être installé et actionné avec une distance minimum de 20 centimètres entre le radiateur et votre corps.

The end user manual shall include all required regulatory information/warning as shown in this manual.

Outdoor use (CA)

- Operation in the band 5150–5250 MHz is only for indoor use to reduce the potential for harmful interference to co-channel mobile satellite systems;
- Operation in the 5600-5650 MHz band is not allowed in Canada. High-power radars are allocated as primary users (i.e., priority users) of the bands 5250-5350 MHz and 5650-5850 MHz and that these radars could cause interference and/or damage to LE-LAN devices.

- Le dispositif de fonctionnement dans la bande 5150-5250 MHz est réservé à une utilisation en intérieur pour réduire le risque d'interférences nuisibles à la co-canal systèmes mobiles par satellite
- Opération dans la bande 5600-5650 MHz n'est pas autorisée au Canada. Haute puissance radars sont désignés comme utilisateurs principaux (c.-à-utilisateurs prioritaires) des bandes 5250-5350 MHz et 5650-5850 MHz et que ces radars pourraient causer des interférences et / ou des dommages à dispositifs LAN-EL.

EUROPEAN UNION (CE)

M404 - EUROPEAN UNION (CE)

We, Particle Industries, Inc, declare under our sole responsibility that the product, M404, to which this declaration relates, is in conformity with RED Directive 2014/53/EU and (EU) 2015/863 RoHS Directive 2011/65/EU (Recast).

The full text of the EU declaration of conformity is available at the following Internet address:

<https://www.particle.io/>

Radiation Exposure Statement: This equipment complies with radiation exposure limits set forth for an uncontrolled environment.

The operating frequency bands and the maximum transmitted power limit are listed below:

- BLE 2402-2480MHz 10dBm
- Wi-Fi 2.4GHz band 2412-2484MHz 20dBm
- Wi-Fi 5GHz band 5180-5825MHz 23dBm
- LTE B1 B3 B8 B20 B28 704.5-959.3MHz 1710.7-2687.5 MHz, 25dBm

M524 - EUROPEAN UNION (CE)

We, Particle Industries, Inc, declare under our sole responsibility that the product, M524, to which this declaration relates, is in conformity with RED Directive 2014/53/EU and (EU) 2015/863 RoHS Directive 2011/65/EU (Recast).

The full text of the EU declaration of conformity is available at the following Internet address:

<https://www.particle.io/>

Radiation Exposure Statement: This equipment complies with radiation exposure limits set forth for an uncontrolled environment.

The operating frequency bands and the maximum transmitted power limit are listed below:

- BLE 2402-2480MHz 10dBm
- Wi-Fi 2.4GHz band 2412-2484MHz 20dBm
- Wi-Fi 5GHz band 5180-5825MHz 23dBm
- LTE B1 B3 B7 B8 B20 B28 704.5-959.3MHz 1710.7-2687.5 MHz, 25dBm
- WCDMA 882.4-957.6 MHz 1922.6-2167.4 MHz, 25dBm
- EGSM900 880-915 MHz, 33 dBm
- DCS1800 1710-1785 MHz, 30 dBm

UNITED KINGDOM

UKCA Conformity:

OUTDOOR USE (WORLD)

This device is restricted to indoor use when operating in the 5150 to 5350 MHz frequency range.

This restriction applies in: AT, BE, BG, CH, CY, CZ, DE, DK, EE, EL, ES, FI, FR, HR, HU, IE, IS, IT, LI, LT, LU, LV, MT, NL, NO, PL, PT, RO, SE, SI, SK, TR, UA, UK(NI).

Certification documents

FCC (UNITED STATES) - M404 M-SOM M-SERIES LTE-M/2G

- [FCC ID: 2AEMI-M404](#)
- [Part 15B](#)
- [Part 15C, Digital Transmission System 2.4 GHz](#)
- [Part 15E, Unlicensed national information infrastructure TX, 5 GHz](#)
- [Part 15B, Part 15 Class B Computing Device Peripheral](#)
- [Part 22H, 24E, 27, PCS Licensed Transmitter](#)

ISED (CANADA) - M404 M-SOM M-SERIES LTE-M/2G

- [ISED: 20127-M504](#)
- [Certificate](#)
- [Test Report RS-130](#)
- [Test Report RS-132](#)
- [Test Report RS-133](#)
- [Test Report RS-139](#)
- [ICES-003 Issue 7:2020](#)
- [Test Report RS-102](#) (RF Exposure)

CE (EUROPEAN UNION) - M404 M-SOM M-SERIES LTE-M/2G

- [Summary](#)
- [EN-62368-1 Test Report](#)
- [EN 300 328 Test Report BLE](#) (Bluetooth LE 2.4 GHz ISM band)
- [EN 300 328 Test Report Wi-Fi](#) (Wi-Fi 2.4 GHz ISM band)
- [EN 300 440 Test Report Wi-Fi](#) (Wi-Fi 5 GHz)
- [EN 301 893 Test Report Wi-Fi](#) (Wi-Fi 5 GHz)
- [EN 301 893 Test Report DFS](#) (Dynamic frequency selection clause 4.2.6)
- [EN 303 413 Test Report](#) (GNSS)
- [EN 301 489 Test Report](#)
- [EN 301 511 Test Report](#) (GSM)
- [EN 301 908 Test Report](#)
- [EN-62311 Test Report](#)
- [Test Report Photos](#)

ROHS - M404 M-SOM M-SERIES LTE-M/2G

- [RoHS 3.0 Test Reports](#)

CE (EUROPEAN UNION) - M524 M-SOM M-SERIES LTE CAT 1

- [Summary](#)
- [EN-62368-1 Test Report](#)
- [EN 300 328 Test Report BLE](#) (Bluetooth LE 2.4 GHz ISM band)
- [EN 300 328 Test Report Wi-Fi](#) (Wi-Fi 2.4 GHz ISM band)
- [EN 301 893 Test Report Wi-Fi](#) (Wi-Fi 5 GHz)
- [EN 300 440 Test Report Wi-Fi](#) (Wi-Fi 5 GHz)
- [EN 301 893 Test Report DFS](#) (Dynamic frequency selection clause 4.2.6)
- [EN 303 413 Test Report](#) (GNSS)
- [EN 301 489 Test Report](#)
- [EN 301 511 Test Report](#) (GSM)

- [EN 301 908 Test Report](#)
- [EN-62311 Test Report](#)
- [Test Report Photos](#)

ROHS - M524 M-SOM M-SERIES LTE CAT 1

- [RoHS 3.0 Test Reports](#)

Country compatibility

M404 - COUNTRY COMPATIBILITY

Country	Model	Technologies	Carriers
Canada	M404	M1	Bell Mobility, Rogers Wireless, Telus
Mexico	M404	2G, M1	AT&T, Telcel
United States	M404	2G, M1	Alaska Wireless, AT&T, T-Mobile (USA), Verizon ⁷

The M404 is fully supported in the United States, Canada, and Mexico. It is in beta testing in other locations. See the [carrier list](#) for country compatibility information.

M404 - CERTIFIED BANDS

Technology	Band	FCC	CE
2G	850 MHz	✓	
2G	900 MHz		
2G	1800 MHz		
2G	1900 MHz	✓	
LTE Cat M1	B1 (2100 MHz)		✓
LTE Cat M1	B2 (1900 MHz)	✓	
LTE Cat M1	B3 (1800 MHz)		✓
LTE Cat M1	B4 (1700 MHz)	✓	
LTE Cat M1	B5 (850 MHz)	✓	
LTE Cat M1	B8 (900 MHz)		✓
LTE Cat M1	B12 (700 MHz)	✓	
LTE Cat M1	B13 (700 MHz)	✓	
LTE Cat M1	B20 (800 MHz)		✓
LTE Cat M1	B25 (1900 MHz)	✓	
LTE Cat M1	B26 (850 MHz)	✓	
LTE Cat M1	B28 (700 MHz)		✓
LTE Cat M1	B66 (2100 MHz)	✓	

M524 - COUNTRY COMPATIBILITY

Country	Model	Technologies	Carriers
Albania	M524	2G, 3G, Cat1	ALBtelecom, Telekom, Vodafone
Algeria	M524	2G, 3G, Cat1	Mobilis, Ooredoo
Aruba	M524	2G, 3G, Cat1	Setar
Australia	M524	Cat1	Optus, Telstra, Vodafone
Austria	M524	2G, 3G, Cat1	3 (Drei), A1, T-Mobile
Bahrain	M524	2G, 3G, Cat1	Zain
Bangladesh	M524	2G, 3G, Cat1	Bangalink, GrameenPhone
Belarus	M524	2G, 3G, Cat1	A1
Belgium	M524	2G, 3G, Cat1	Base, Orange, Proximus
Bosnia and Herzegovina	M524	2G, 3G	BH Telecom, HT Eronet
Botswana	M524	2G, 3G, Cat1	BeMobile
Brunei	M524	3G, Cat1	DST

Bulgaria	M524	2G, 3G	A1, Telenor, Vivacom
Burkina Faso	M524	2G, 3G, Cat1	Orange
Cabo Verde	M524	2G, 3G, Cat1	CVMóvel, Unitel T+
Cambodia	M524	2G, 3G	Metfone
Chad	M524	2G, 3G, Cat1	Airtel
Chile	M524	2G, 3G, Cat1	Claro, Entel, Movistar
Congo (Brazzaville)	M524	2G, 3G, Cat1	Airtel
Congo (Kinshasa)	M524	2G, 3G, Cat1	Airtel
Côte d'Ivoire	M524	2G, 3G, Cat1	MTN
Croatia	M524	2G, 3G, Cat1	Hrvatski Telekom, Tele2
Cyprus	M524	2G, 3G, Cat1	Cytamobile-Vodafone, MTN, PrimeTel
Czechia	M524	2G, Cat1	O2, T-Mobile, Vodafone
Denmark	M524	2G, 3G, Cat1	3 (Tre), TDC, Telenor, Telia
Egypt	M524	2G, 3G, Cat1	Etisalat, Orange
Estonia	M524	2G, 3G, Cat1	Elisa, Tele2, Telia
eSwatini	M524	2G, 3G, Cat1	MTN
Ethiopia	M524	2G, 3G, Cat1	Ethio Telecom
Faroe Islands	M524	2G, 3G	Faroese Telecom, Vodafone
Finland	M524	2G, Cat1	DNA, Elisa, Telia
France	M524	2G, 3G, Cat1	Bouygues, Free Mobile, Orange, SFR
French Guiana	M524	2G, 3G	Digicel
Gabon	M524	2G, 3G, Cat1	Airtel
Germany	M524	2G, 3G, Cat1	O2, Telekom, Vodafone
Ghana	M524	2G, 3G, Cat1	AirtelTigo, MTN, Vodafone
Gibraltar	M524	2G, 3G, Cat1	Gibtel
Greece	M524	2G, Cat1	Cosmote, Vodafone, Wind
Guinea	M524	2G, 3G, Cat1	MTN
Guinea-Bissau	M524	2G, 3G, Cat1	MTN
Guyana	M524	2G	Digicel
Hong Kong	M524	2G, 3G, Cat1	CMHK, CSL, SmarTone
Hungary	M524	2G, 3G, Cat1	Magyar Telekom, Telenor, Vodafone
Iceland	M524	2G, 3G, Cat1	Nova, Siminn, Vodafone
Indonesia	M524	2G, 3G, Cat1	Indosat, Telkomsel, XL Axiata
Ireland	M524	2G, 3G, Cat1	3 (Tre), Meteor, O2, Vodafone
Israel	M524	2G, 3G, Cat1	Hot Mobile, Orange, Pelephone
Italy	M524	2G, 3G, Cat1	TIM, Vodafone, Wind
Jordan	M524	2G, 3G, Cat1	Zain
Kazakhstan	M524	2G, 3G, Cat1	Beeline, K-Cell
Kenya	M524	2G, 3G, Cat1	Airtel
Kuwait	M524	2G, 3G, Cat1	Viva, Zain
Latvia	M524	2G, 3G, Cat1	Bite, LMT, Tele2
Liechtenstein	M524	2G, 3G, Cat1	Mobilkom, Orange
Lithuania	M524	2G, 3G, Cat1	Bite, Omnitel, Tele2
Luxembourg	M524	2G, 3G, Cat1	Orange, POST, Tango
Macao	M524	2G, 3G, Cat1	CTM

Madagascar	M524	2G, 3G, Cat1	Airtel
Malawi	M524	2G, 3G, Cat1	Airtel
Malaysia	M524	2G, 3G, Cat1	Celcom, DiGi, Maxis
Malta	M524	2G, 3G, Cat1	Go Mobile, Vodafone
Moldova	M524	2G, 3G, Cat1	Moldcell, Orange
Mongolia	M524	2G, 3G	Mobicom, Unitel
Montenegro	M524	2G, 3G, Cat1	Mtel, T-Mobile, Telenor
Morocco	M524	2G, 3G, Cat1	Inwi, Medi Telecom
Mozambique	M524	2G, 3G, Cat1	Vodacom
Myanmar	M524	2G, 3G, Cat1	MPT, Telenor
Namibia	M524	2G, 3G, Cat1	Telecom Namibia
Netherlands	M524	2G, 3G, Cat1	KPN, T-Mobile, Vodafone
New Zealand	M524	2G, 3G, Cat1	2degrees, Spark, Vodafone
Nigeria	M524	2G, 3G, Cat1	9mobile, Airtel, Glo, MTN
Norway	M524	2G, 3G, Cat1	TDC, Telenor, Telia
Pakistan	M524	2G, 3G, Cat1	Mobilink, Telenor, Ufone, Warid
Palestine	M524	2G, 3G	Jawwal
Papua New Guinea	M524	2G, 3G	bmobile
Poland	M524	2G, 3G, Cat1	Orange, Play, Plus, T-Mobile
Portugal	M524	2G, 3G, Cat1	NOS, TMN, Vodafone
Qatar	M524	2G, 3G, Cat1	Ooredoo, Vodafone
Romania	M524	2G, 3G, Cat1	Orange, Telekom Romania, Vodafone
Rwanda	M524	2G, 3G, Cat1	Airtel, MTN
Serbia	M524	2G, 3G, Cat1	Telenor, VIP
Seychelles	M524	2G, 3G, Cat1	Airtel
Sint Maarten	M524	2G, 3G, Cat1	TelCell
Slovakia	M524	2G, 3G, Cat1	O2, Orange, Telekom
Slovenia	M524	2G, 3G, Cat1	A1, Mobitel
South Africa	M524	2G, 3G, Cat1	Cell C, MTN, Vodacom
South Korea	M524	3G, Cat1	KT, LG U+, SK Telecom
South Sudan	M524	2G, 3G, Cat1	MTN
Spain	M524	2G, 3G, Cat1	Orange, Telefonica, Vodafone, Yoigo
Sri Lanka	M524	2G, 3G, Cat1	Dialog, Mobitel
Suriname	M524	2G, 3G	Telesur
Sweden	M524	2G, 3G, Cat1	3 (Tre), Tele2, Telenor, Telia
Switzerland	M524	3G, Cat1	Salt, Sunrise, Swisscom
Taiwan	M524	3G, Cat1	Chunghwa, FarEasTone, T Star, Taiwan Mobile
Tanzania	M524	2G, 3G, Cat1	Airtel
Thailand	M524	2G, 3G, Cat1	AIS, DTAC, True Move
Tunisia	M524	2G, 3G, Cat1	Orange Tunisie, Tunisie Telecom
Uganda	M524	2G, 3G, Cat1	Africell, Airtel, MTN
United Kingdom	M524	2G, 3G, Cat1	3, EE, Manx, O2, Sure, Vodafone
Vietnam	M524	2G, 3G, Cat1	MobiFone, Viettel, Vinaphone
Zambia	M524	2G, 3G, Cat1	Airtel

M524 - CERTIFIED BANDS

Technology	Band	CE
2G	900 MHz	✓
2G	1800 MHz	✓
3G	B1 (2100 MHz)	✓
3G	B8 (900 MHz)	✓
LTE Cat 1	B1 (2100 MHz)	✓
LTE Cat 1	B3 (1800 MHz)	✓
LTE Cat 1	B7 (2600 MHz)	✓
LTE Cat 1	B8 (900 MHz)	✓
LTE Cat 1	B20 (800 MHz)	✓
LTE Cat 1	B28 (700 MHz)	✓

M635 - COUNTRY COMPATIBILITY

Global, country list to be provided a later date.

Ordering information

SKU	Description	Region	Modem	EtherSIM	Lifecycle	Replacement
M404MEA	M-Series LTE-M/2G (Global, EtherSIM), [x1]	Global	BG95-M5	✓	GA	
M404MTY	M-Series LTE-M/2G (Global, EtherSIM), Tray [x50]	Global	BG95-M5	✓	GA	
M524MEA	M-Series LTE CAT1/3G/2G (Europe, EtherSIM), [x1]	EMEA	EG91-EX	✓	GA	
M524MTY	M-Series LTE CAT1/3G/2G (Europe, EtherSIM), Tray [x50]	EMEA	EG91-EX	✓	GA	
M635MEA	M-Series LTE M1/2G/Satellite Kit (Global, EtherSIM), [x1]	Global	BG95-S5	✓	In development	

- EMEA: Selected countries in Europe, Middle East, Africa, and Asia, including Australia and New Zealand. See the [cellular carrier list](#) for more information.

Revision history

Revision	Date	Author	Comments
pre	2023-10-03	RK	Initial version
	2023-12-20	RK	Added FCC and IC IDs. Additional notes for ADCs, D24, and D25
	2024-02-08	RK	Added power consumption information
	2024-02-20	RK	M.2 screw assembly should be connected to ground
	2024-02-20	RK	Added pin drive strength
	2024-03-14	RK	M SoM pin 45 is not shared. Pins 43 and 53 are both connected to PB[2], but not pin 45.
	2024-03-15	RK	The UART baud rate 2400, 4800, 380400, 460800 are supported but were not listed
	2024-03-26	RK	Listed certified bands for FCC and CE
001	2024-04-02	RK	General availability
002	2024-04-03	RK	Additional transmitter information
003	2024-04-18	RK	Add PDM microphone
004	2024-04-23	RK	Added links to certification documents
005	2024-04-25	RK	Added I/O characteristics
006	2024-04-30	RK	Corrected SPI interface speeds
007	2024-07-09	RK	Updated cellular modem on M635 to BG95-S5
008	2024-08-21	RK	Added supervisory reset information
009	2024-09-03	RK	Added clarification of cellular modem USB pins
010	2024-09-24	RK	Removed concurrent GNSS warning, added link to library
011	2024-10-02	RK	Added warning to not use Argon (ANT-FLXV2) antenna