



BUREAU
VERITAS

Test Report No.: RE200518N021-3



Certificate # 2951.01

TEST REPORT



Applicant	Particle Industries, Inc
Address	126 Post St,4th floor, San Francisco, CA 94108 USA

Manufacturer or Supplier	Particle Industries, Inc
Address	126 Post St,4th floor, San Francisco, CA 94108 USA
Product	Tracker SoM LTE CAT1/3G/2G
Brand Name	Particle
Model	T523M
Additional Model & Model Difference	T524M, See items 2.1 note
Date of tests	May 18. 2020 ~ Jul. 17, 2020

The submitted sample of the above equipment has been tested according to the requirements of the following standard:

EN 303 413 V1.1.1 (2017-06)

CONCLUSION: The submitted sample was found to COMPLY with the test requirement

Tested by Breeze Jiang Senior Project Engineer / EMC Department	Approved by Glyn He Assistant Manager / EMC Department
	
	Date: Aug. 14, 2020

This report is governed by, and incorporates by reference, CPS Conditions of Service as posted at the date of issuance of this report at <http://www.bureauveritas.com/home/about-us/our-business/cps/about-us/terms-conditions> and is intended for your exclusive use. Any copying or replication of this report to or for any other person or entity, or use of our name or trademark, is permitted only with our prior written permission. This report sets forth our findings solely with respect to the test samples identified herein. The results set forth in this report are not indicative or representative of the quality or characteristics of the lot from which a test sample was taken or any similar or identical product unless specifically and expressly noted. Our report includes all of the tests requested by you and the results thereof based upon the information that you provided to us. Measurement uncertainty is only provided upon request for accredited tests. You have 60 days from date of issuance of this report to notify us of any material error or omission caused by our negligence or if you require measurement uncertainty; provided, however, that such notice shall be in writing and shall specifically address the issue you wish to raise. A failure to raise such issue within the prescribed time shall constitute you unqualified acceptance of the completeness of this report, the tests conducted and the correctness of the report contents.

Bureau Veritas Shenzhen Co.,
Ltd. Dongguan Branch

No. 96, Guantai Road (Houjie Section), Houjie Town,
Dongguan City, Guangdong Province. 523942.
People's Republic of China.

Tel.: +86 769 8998 2098
Fax: +86 769 8593 1080
Email: customerservice.dg@cn.bureauveritas.com



TABLE OF CONTENTS

RELEASE CONTROL RECORD	3
1 SUMMARY OF TEST RESULTS	4
1.1 MEASUREMENT UNCERTAINTY	4
2 GENERAL INFORMATION	5
2.1 GENERAL DESCRIPTION OF EUT	5
2.2 DESCRIPTION OF TEST MODES	6
2.2.1 TEST MODE APPLICABILITY AND TESTED DETAIL	6
2.3 DESCRIPTION OF SUPPORT UNITS	9
2.4 TEST INSTRUMENTS	9
2.5 TEST PROCEDURE AND RESULTS	10
2.6 GENERAL DESCRIPTION OF APPLIED STANDARDS	10
3 TEST PROCEDURE AND RESULTS	11
3.1 ADJACENT SIGNAL SELECTIVITY	11
3.1.1 CONFORMANCE SPECIFICATIONS	11
3.1.2 TEST PROCEDURES	11
3.1.3 DEVIATION FROM TEST STANDARD	11
3.1.4 TEST SETUP	11
3.1.5 TEST RESULTS	12
3.2 RECEIVER SPURIOUS EMISSIONS	14
3.2.1 LIMIT OF RECEIVER SPURIOUS RADIATION	14
3.2.2 TEST PROCEDURE	14
3.2.3 DEVIATION FROM TEST STANDARD	14
3.2.4 TEST SETUP	14
3.2.5 TEST RESULTS	15
4 PHOTOGRAPHS OF THE TEST CONFIGURATION	17
5 APPENDIX A – MODIFICATIONS RECORDERS FOR ENGINEERING CHANGES TO THE EUT BY THE LAB	19



BUREAU
VERITAS

Test Report No.: RE200518N021-3

RELEASE CONTROL RECORD

ISSUE NO.	REASON FOR CHANGE	DATE ISSUED
RE200518N021-3	Original release	Aug. 14, 2020



1 SUMMARY OF TEST RESULTS

The EUT has been tested according to the following specifications:

EN 303 413 V1.1.1		
Clause	Test Parameter	Results
4.2.1	Adjacent signal selectivity	Pass
4.2.2	Spurious domain	Pass

1.1 MEASUREMENT UNCERTAINTY

Where relevant, the following measurement uncertainty levels have been estimated for tests performed on the EUT:

This uncertainty represents an expanded uncertainty expressed at approximately the 95% confidence level using a coverage factor of $k=2$.

Parameter	Uncertainty
Uncertainty in conducted measurements	± 2.855 dB
Uncertainty in radiated measurements	± 2.855 dB
Spurious emissions	± 2.855 dB

Note: Referenced documents ETSI EN 300 328 standard.



2 GENERAL INFORMATION

2.1 GENERAL DESCRIPTION OF EUT

Product	Tracker SoM LTE CAT1/3G/2G	
Brand	Particle	
Test Model	T523M	
Additional Models	T524M	
Nominal Voltage	Li+ PIN: DC +3.3V-4.3V or VBUS PIN: DC +4.35V-5.5V or VIN PIN: DC +3.9V-17V	
Regulatory Type	GPS, GALILEO	
Modulation Technology	GPS	CDMA
	GALILEO	CDMA
Modulation Type	GPS	BPSK
	GALILEO	CBOC
Operating Frequency	GPS	1575.42 MHz \pm 1.023 MHz
	GALILEO	1575.42 MHz \pm 1.023 MHz
Antenna Type	External Active Antenna	
Version of Hardware	V1.0	
Version of Software	V1.5.4	

Notes:

1. The above EUT information is declared by manufacturer and for more detailed features description, please refer to the manufacturer's specifications or user's manual.
2. For the test results, the EUT had been tested with all conditions, but only the worst case was shown in test report.
3. Additional model T524M is identical with the test model T523M except the model number for marketing purpose.



2.2 DESCRIPTION OF TEST MODES

GNSS are provided for GPS and GALILEO:

GNSS	RNSS FREQUENCY
GPS	1575.42 MHz
GALILEO	1575.42 MHz

2.2.1 TEST MODE APPLICABILITY AND TESTED DETAIL

EUT Configure Mode	Applicable to			Description
	ASS	SE < 1G	SE ≥ 1G	
GPS/ GALILEO	√	√	√	-

Where **ASS**: Adjacent signal selectivity

SE < 1G: Unwanted Emissions in the Spurious Domain below 1 GHz

SE ≥ 1G: Unwanted Emissions in the Spurious Domain above 1 GHz

NOTE: 1. The EUT had been pre-tested on the positioned of each 3 axis. The worst case was found when positioned on X-plane.

ADJACENT SIGNAL SELECTIVITY:

Following Supported GNSS(s) was (were) selected for the final test as listed below.

GNSS	GNSS Signals			
BDS	<input type="checkbox"/> B1			
Galileo	<input checked="" type="checkbox"/> E1	<input type="checkbox"/> E5a	<input type="checkbox"/> E5b	<input type="checkbox"/> E6
GLONASS	<input type="checkbox"/> G1	<input type="checkbox"/> G2		
GPS	<input checked="" type="checkbox"/> L1	<input type="checkbox"/> L2	<input type="checkbox"/> L5	
SBAS	<input type="checkbox"/> L1		<input type="checkbox"/> L5	



GNSS, GNSS signals and RNSS frequency bands

GNSS	GNSS Signal Designations	RNSS Frequency Band (MHz)
BDS	B1	1 559 to 1 610
GLONASS	G1	1 559 to 1 610
	G2	1 215 to 1 300
GPS	L1	1 559 to 1 610
	L2	1 215 to 1 300
	L5	1 164 to 1 215
Galileo	E1	1 559 to 1 610
	E5a	1 164 to 1 215
	E5b	1 164 to 1 215
	E6	1 215 to 1 300
SBAS	L1	1 559 to 1 610
	L5	1 164 to 1 215

Frequency bands, adjacent frequency signal test point centre frequencies and power levels for the 1559 MHz to 1610 MHz RNSS band

Frequency band(MHz)	Test point centre frequency (MHz)	Adjacent frequency signal power level (dBm)	Comments
1518 - 1 525	1 524	-65	MSS (space-to-Earth) band
1 525 - 1 549	1 548	-95	MSS (space-to-Earth) band
1 549 - 1 559	1 554	-105	MSS (space-to-Earth) band
1 559 - 1 610	GUE RNSS band under test		
1 610 - 1 626	1 615	-105	MSS (Earth-to-space) band
1 626 - 1 640	1 627	-85	MSS (Earth-to-space) band

Frequency bands, adjacent frequency signal test point centre frequencies and power levels for the 1164 MHz to 1300 MHz RNSS band

Frequency band (MHz)	Test point centre frequency (MHz)	Adjacent frequency signal power level (dBm)	Comments
960 - 1 164	1 154	-75	AM(R)S, ARNS band
1 164 - 1 215	GUE RNSS band under test		
1 215 - 1 260	GUE RNSS band under test		
1 260 - 1 300	GUE RNSS band under test		
1 300 - 1 350	1 310	-85	Radiolocation, ARNS, RNSS (Earth-to-space) band

(Maximum) signal levels for each GNSS supported

GNSS	Parameters	Value
GPS	(Maximum) signal level	-128,5 dBm
Galileo	(Maximum) signal level	-127 dBm



UNWANTED EMISSIONS IN THE SPURIOUS DOMAIN TEST (BELOW 1 GHZ):

Following GNSS(s) was (were) selected for the final test as listed below.

EUT CONFIGURE MODE	GNSS	GNSS SIGNAL DESIGNATIONS	RNSS FREQUENCY (MHZ)
-	GPS	L1	1575.42 MHz
-	GALILEO	E1	1575.42 MHz

UNWANTED EMISSIONS IN THE SPURIOUS DOMAIN TEST (ABOVE 1 GHZ):

Following channel(s) was (were) selected for the final test as listed below.

EUT CONFIGURE MODE	GNSS	GNSS SIGNAL DESIGNATIONS	RNSS FREQUENCY (MHZ)
-	GPS	L1	1575.42 MHz
-	GALILEO	E1	1575.42 MHz

TEST CONDITION:

Applicable to	Environmental Conditions	Input Power	Tested by
ASS	22 °C, 59% RH	DC3.8V from Som test board V03	Daniel
SE<1G	22 °C, 59% RH	DC3.8V from Som test board V03	Hu
SE≥1G	22 °C, 59% RH	DC3.8V from Som test board V03	Hu

Remarks: The Som test board V03 is support units, it power by 3.8V battery.



2.3 DESCRIPTION OF SUPPORT UNITS

The EUT has been tested as an independent unit together without any accessories or support units.

2.4 TEST INSTRUMENTS

Equipment	Manufacturer	Model No.	Serial No.	Last Cal.	Next Cal.
Signal Analyzer	Rohde&Schwarz	FSL3	101507	Apr. 05, 20	Apr. 04, 21
Vector Signal Generator	Rohde&Schwarz	SMBV100A	1407.6004k02-259143-XW	Apr. 05, 20	Apr. 04, 21
Signal Generator	Rohde&Schwarz	SMB100A	102383	Apr. 05, 20	Apr. 04, 21
Signal Generator	Agilent	N5181A	MY50142530	Oct. 13,19	Oct. 12,20
Dual Directional Coupler	TESEQ	C5982	95208	Nov. 09,19	Nov. 08,20
EMI Test Receiver	Rohde&Schwarz	ESU40	100449	Mar. 11,20	Mar. 10,21
Broadcast Test System	Rohde&Schwarz	SFU	101543	Apr. 05, 20	Apr. 04, 21
Resistive Power Splitter	N/A	1870A	7776	Apr. 05, 20	Apr. 04, 21

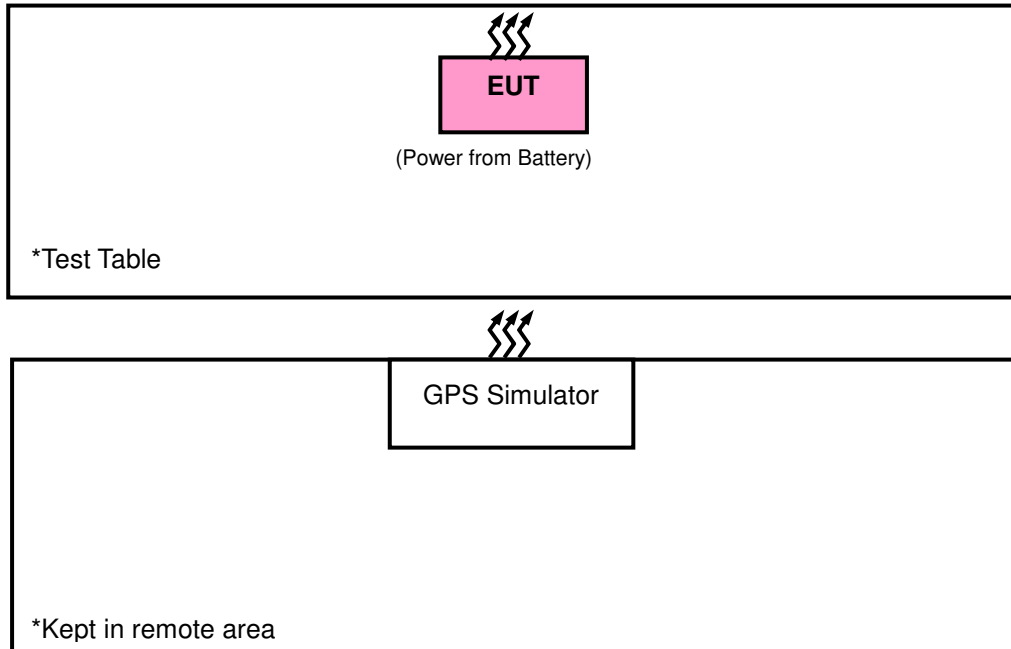
NOTES:

1. The calibration interval of the above test instruments is 12 months and the calibrations are traceable to CEPREI/CHINA, GRGT/CHINA and NIM/CHINA.
2. The test was performed in Dongguan RF Room.



2.5 TEST PROCEDURE AND RESULTS

CONFIGURATION OF SYSTEM UNDER TEST



2.6 GENERAL DESCRIPTION OF APPLIED STANDARDS

The EUT is a RF Product. According to the specifications of the manufacturer, it must comply with the requirements of the following standard:

ETSI EN 303 413 V1.1.1 (2017-06)

All test items have been performed and recorded as per the above standard



3 TEST PROCEDURE AND RESULTS

3.1 ADJACENT SIGNAL SELECTIVITY

3.1.1 CONFORMANCE SPECIFICATIONS

Condition	Maximum Degradation in C/N ₀
Under all test conditions	$\Delta C/N_0 \leq 1$ dB

3.1.2 TEST PROCEDURES

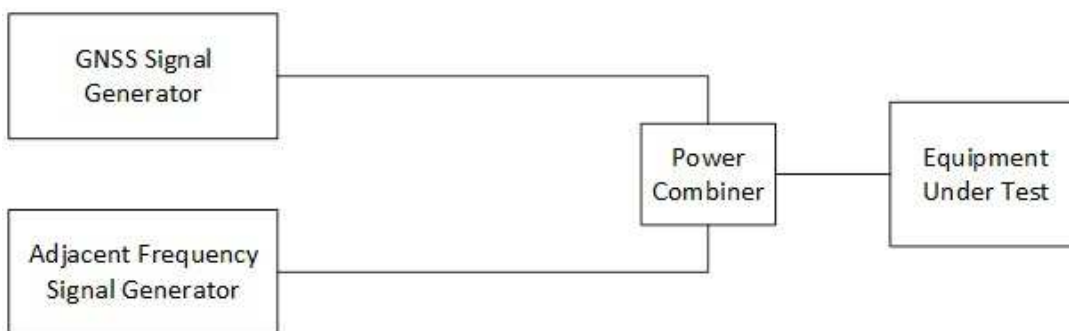
Refer to clause 5.4 of ETSI EN 303 413 V1.1.1 (2017-06)

Measurement Method	
<input checked="" type="checkbox"/> Conducted measurement	<input type="checkbox"/> Radiated measurement

3.1.3 DEVIATION FROM TEST STANDARD

No deviation.

3.1.4 TEST SETUP



The measurements for Adjacent Signal Selectivity was performed at both normal environmental conditions and at the extremes of the operating temperature. Controlling software has been activated to set the EUT on specific GNSS and power level.



3.1.5 TEST RESULTS

Test results for the 1 559 MHz to 1 610 MHz RNSS band

Frequency band (MHz)	Test point centre frequency (MHz)	Adjacent frequency signal power level (dBm)	Measured C/N ₀ (dB-Hz)			
			No interfering signal	With interfering signal	Decrease of C/N ₀	Decrease ≤ 1 dB ?
1 518 - 1 525	1524	-65				BDS <input type="checkbox"/> Pass <input type="checkbox"/> Fail <input type="checkbox"/> N/A
			44.5	44.2	0.3	Galileo <input checked="" type="checkbox"/> Pass <input type="checkbox"/> Fail <input type="checkbox"/> N/A
			43.9	43.6	0.3	GLONASS <input type="checkbox"/> Pass <input type="checkbox"/> Fail <input type="checkbox"/> N/A
						GPS <input checked="" type="checkbox"/> Pass <input type="checkbox"/> Fail <input type="checkbox"/> N/A
					SBAS <input type="checkbox"/> Pass <input type="checkbox"/> Fail <input type="checkbox"/> N/A	
1 525 - 1 549	1548	-95				BDS <input type="checkbox"/> Pass <input type="checkbox"/> Fail <input type="checkbox"/> N/A
			44.5	44.1	0.4	Galileo <input checked="" type="checkbox"/> Pass <input type="checkbox"/> Fail <input type="checkbox"/> N/A
			43.9	43.7	0.2	GLONASS <input type="checkbox"/> Pass <input type="checkbox"/> Fail <input type="checkbox"/> N/A
						GPS <input checked="" type="checkbox"/> Pass <input type="checkbox"/> Fail <input type="checkbox"/> N/A
					SBAS <input type="checkbox"/> Pass <input type="checkbox"/> Fail <input type="checkbox"/> N/A	
1 549 - 1 559	1554	-105				BDS <input type="checkbox"/> Pass <input type="checkbox"/> Fail <input type="checkbox"/> N/A
			44.5	44.1	0.4	Galileo <input checked="" type="checkbox"/> Pass <input type="checkbox"/> Fail <input type="checkbox"/> N/A
			43.9	43.5	0.4	GLONASS <input type="checkbox"/> Pass <input type="checkbox"/> Fail <input type="checkbox"/> N/A
						GPS <input checked="" type="checkbox"/> Pass <input type="checkbox"/> Fail <input type="checkbox"/> N/A
					SBAS <input type="checkbox"/> Pass <input type="checkbox"/> Fail <input type="checkbox"/> N/A	
1 610 - 1 626	1615	-105				BDS <input type="checkbox"/> Pass <input type="checkbox"/> Fail <input type="checkbox"/> N/A
			44.58	43.9	0.6	Galileo <input checked="" type="checkbox"/> Pass <input type="checkbox"/> Fail <input type="checkbox"/> N/A
			43.9	43.6	0.3	GLONASS <input type="checkbox"/> Pass <input type="checkbox"/> Fail <input type="checkbox"/> N/A
						GPS <input checked="" type="checkbox"/> Pass <input type="checkbox"/> Fail <input type="checkbox"/> N/A
					SBAS <input type="checkbox"/> Pass <input type="checkbox"/> Fail <input type="checkbox"/> N/A	
1 626 - 1 640	1627	-85				BDS <input type="checkbox"/> Pass <input type="checkbox"/> Fail <input type="checkbox"/> N/A
			44.5	44.2	0.3	Galileo <input checked="" type="checkbox"/> Pass <input type="checkbox"/> Fail <input type="checkbox"/> N/A
			43.9	43.7	0.2	GLONASS <input type="checkbox"/> Pass <input type="checkbox"/> Fail <input type="checkbox"/> N/A
						GPS <input checked="" type="checkbox"/> Pass <input type="checkbox"/> Fail <input type="checkbox"/> N/A
					SBAS <input type="checkbox"/> Pass <input type="checkbox"/> Fail <input type="checkbox"/> N/A	



Test results for the 1 164 MHz to 1 300 MHz RNSS band

Frequency band (MHz)	Test point centre frequency (MHz)	Adjacent frequency signal power level (dBm)	Measured C/N ₀ (dB-Hz)			
	From table 4-3	From table 4-3	No interfering signal	With interfering signal	Decrease of C/N ₀	Decrease ≤ 1 dB ?
960 - 1 164	1154	-75	--	--	--	BDS <input type="checkbox"/> Pass <input type="checkbox"/> Fail <input checked="" type="checkbox"/> N/A
			--	--	--	Galileo <input type="checkbox"/> Pass <input type="checkbox"/> Fail <input checked="" type="checkbox"/> N/A
			--	--	--	GLONASS <input type="checkbox"/> Pass <input type="checkbox"/> Fail <input checked="" type="checkbox"/> N/A
			--	--	--	GPS <input type="checkbox"/> Pass <input type="checkbox"/> Fail <input checked="" type="checkbox"/> N/A
			--	--	--	SBAS <input type="checkbox"/> Pass <input type="checkbox"/> Fail <input checked="" type="checkbox"/> N/A
1 300 - 1 350	1310	-85	--	--	--	BDS <input type="checkbox"/> Pass <input type="checkbox"/> Fail <input checked="" type="checkbox"/> N/A
			--	--	--	Galileo <input type="checkbox"/> Pass <input type="checkbox"/> Fail <input checked="" type="checkbox"/> N/A
			--	--	--	GLONASS <input type="checkbox"/> Pass <input type="checkbox"/> Fail <input checked="" type="checkbox"/> N/A
			--	--	--	GPS <input type="checkbox"/> Pass <input type="checkbox"/> Fail <input checked="" type="checkbox"/> N/A
			--	--	--	SBAS <input type="checkbox"/> Pass <input type="checkbox"/> Fail <input checked="" type="checkbox"/> N/A



3.2 RECEIVER SPURIOUS EMISSIONS

3.2.1 LIMIT OF RECEIVER SPURIOUS RADIATION

Frequency Range	Maximum Power Limit	Bandwidth
30 MHz ~ 1 GHz	-57dBm	100 kHz
1 GHz ~ 8.3 GHz	-47dBm	1 MHz

Note: These limits are e.r.p. for emissions up to 1 GHz and as e.i.r.p. for emissions above 1 GHz.

3.2.2 TEST PROCEDURE

Refer to clause 5.5 of ETSI EN 303 413 V1.1.1 (2017-06)

Measurement Method	
<input type="checkbox"/> Conducted measurement	<input checked="" type="checkbox"/> Radiated measurement
<p><u>For Conducted measurement:</u></p> <p>The level of unwanted emissions shall be measured as their power in a specified load (conducted spurious emissions) and their effective radiated power when radiated by the cabinet or structure of the equipment with the antenna connector(s) terminated by a specified load (cabinet radiation).</p>	
<p><u>Conducted measurement (For equipment with multiple transmit chains):</u></p> <p><input type="checkbox"/> Option 1: The results for each of the transmit chains for the corresponding 1MHz segments shall be added and compared with the limits.</p> <p><input type="checkbox"/> Option 2: The results for each of the transmit chains shall be individually compared with the limits after these limits have been reduced by 10 x log (N) (number of active transmit chains)</p>	

3.2.3 DEVIATION FROM TEST STANDARD

No deviation.

3.2.4 TEST SETUP

1. For the actual test configuration, please refer to the related Item in this test report (Photographs of the Test Configuration).
2. Testing was performed when the equipment was in a receive-only mode.
3. The test setup has been constructed as the normal use condition. Controlling software has been activated to set the EUT on specific status.



3.2.5 TEST RESULTS

RX Below 1GHz Worst Data:

Frequency Range	30 MHz ~ 1 GHz	Operating GNSS	GPS 1575.42MHz
------------------------	----------------	-----------------------	----------------

SPURIOUS EMISSION LEVEL				
Frequency (MHz)	Antenna Polarization	Level (dBm)	Limit (dBm)	Margin (dB)
30.00	V	-88.30	-57.00	-31.30
43.99	H	-78.43	-57.00	-21.43
99.95	V	-80.51	-57.00	-23.51
146.59	H	-88.05	-57.00	-31.05
152.80	V	-83.39	-57.00	-26.39
233.64	V	-81.28	-57.00	-24.28
252.29	H	-81.19	-57.00	-24.19
337.79	V	-80.47	-57.00	-23.47
393.75	H	-81.61	-57.00	-24.61
443.49	V	-77.50	-57.00	-20.50
479.25	H	-78.77	-57.00	-21.77
561.63	H	-77.82	-57.00	-20.82

Frequency Range	30 MHz ~ 1 GHz	Operating GNSS	GALILEO 1575.42MHz
------------------------	----------------	-----------------------	--------------------

SPURIOUS EMISSION LEVEL				
Frequency (MHz)	Antenna Polarization	Level (dBm)	Limit (dBm)	Margin (dB)
45.54	H	-77.83	-57.00	-20.83
65.75	H	-87.63	-57.00	-30.63
99.95	H	-89.01	-57.00	-32.01
99.95	V	-80.19	-57.00	-23.19
143.48	H	-87.41	-57.00	-30.41
143.48	V	-83.43	-57.00	-26.43
233.64	V	-81.10	-57.00	-24.10
260.06	V	-83.14	-57.00	-26.14
323.80	V	-80.46	-57.00	-23.46
395.30	H	-80.46	-57.00	-23.46
412.40	V	-79.50	-57.00	-22.50
487.02	H	-78.46	-57.00	-21.46



RX Above 1GHz Data

Frequency Range	1 GHz ~ 8.3 GHz	Operating GNSS	GPS 1575.42MHz
------------------------	-----------------	-----------------------	----------------

SPURIOUS EMISSION LEVEL				
Frequency (MHz)	Antenna Polarization	Level (dBm)	Limit (dBm)	Margin (dB)
3150.84	H	-52.21	-47.00	-5.21
3150.84	V	-52.53	-47.00	-5.53
4726.26	H	-51.13	-47.00	-4.13
4726.26	V	-51.41	-47.00	-4.41

Frequency Range	1 GHz ~ 8.3 GHz	Operating GNSS	GALILEO 1575.42MHz
------------------------	-----------------	-----------------------	--------------------

SPURIOUS EMISSION LEVEL				
Frequency (MHz)	Antenna Polarization	Level (dBm)	Limit (dBm)	Margin (dB)
3210.75	H	-51.97	-47.00	-4.97
3210.75	V	-52.87	-47.00	-5.87
4816.12	H	-51.02	-47.00	-4.02
4816.12	V	-51.61	-47.00	-4.61



4 PHOTOGRAPHS OF THE TEST CONFIGURATION

ADJACENT SIGNAL SELECTIVITY



RADIATED EMISSION(BELOW 1GHz)





**BUREAU
VERITAS**

Test Report No.: RE200518N021-3

RADIATED EMISSION(ABOVE 1GHz)





BUREAU
VERITAS

Test Report No.: RE200518N021-3

5 APPENDIX A – MODIFICATIONS RECORDERS FOR ENGINEERING CHANGES TO THE EUT BY THE LAB

No any modifications were made to the EUT by the lab during the test.

--- END ---