

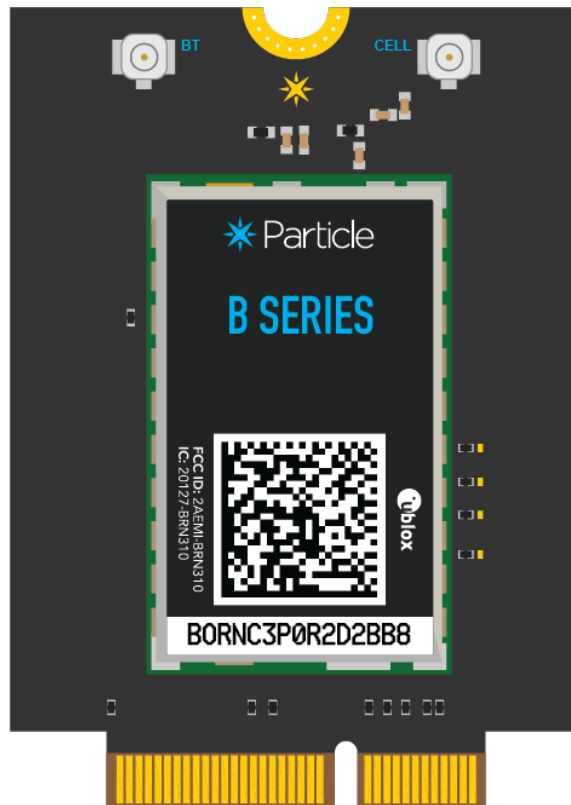
B404X Datasheet	5
Functional description	6
OVERVIEW	6
FEATURES	6
Features - B404X	6
Features - all models	6
MODEL COMPARISON	6
DEVICE OS SUPPORT	7
Interfaces	8
BLOCK DIAGRAM	8
POWER	8
VCC	8
3V3	8
VBus	9
ANTENNA	10
Certified cellular antenna	10
Alternate cellular antenna	11
Certified BLE antenna	11
Certified NFC antenna	12
General antenna guidance	13
PERIPHERALS AND GPIO	13
JTAG AND SWD	13
Memory map	15
NRF52840 FLASH LAYOUT OVERVIEW	15
EXTERNAL SPI FLASH LAYOUT OVERVIEW (DFU OFFSET: 0X80000000)	15
Pins and button definitions	16
PINOUT DIAGRAM	16
COMMON SOM PINS	16
GPIO AND PORT LISTING	16
ADC (ANALOG TO DIGITAL CONVERTER)	17
UART SERIAL	18
SPI	18
I2C	18
PWM	19
USB	19
RGB LED	19
SETUP AND RESET BUTTON	20
PIN DESCRIPTION	20
COMPLETE MODULE PIN DETAILS	22
1 GND	22
2 VCC	23
3 GND	23
4 VCC	23
5 GND	23
6 VCC	23
7 GND	23

8 VCC	23
9 GND	23
10 3V3	24
11 USBDATA+	24
12 3V3	24
13 USBDATA-	24
14 NC	24
15 GND	24
16 VUSB	24
17 NFC1	25
18 NC	25
19 NFC2	25
20 D1	25
21 GND	25
22 D0	25
23 A0	26
32 MODE	26
33 A1	26
34 RST	27
35 A2	27
36 TX	27
37 A3	27
38 RX	28
39 AGND	28
40 D3	28
41 A4	28
42 D2	29
43 A5	29
44 CELL USBD+	29
45 A6	29
46 CELL USBD-	30
47 A7	30
48 D8	30
49 AGND	30
50 MISO	30
51 NC	31
52 MOSI	31
53 NC	31
54 SCK	31
55 NC	32
56 GND	32
57 NC	32
58 NC	32
59 NC	32
60 NC	32
61 RGBR	32
62 D22	32
63 RGBG	33
64 D23	33

65 RGBB	33
66 D4	33
67 SIM_VCC	33
68 D5	34
69 SIM_RST	34
70 D6	34
71 SIM_CLK	34
72 D7	34
73 SIM_DATA	35
74 CELL_VBUS	35
75 NC	35
LED STATUS	35
System RGB LED	35
PMIC NOTES	35
Technical specifications	37
ABSOLUTE MAXIMUM RATINGS [1]	37
Supply voltages	37
RECOMMENDED OPERATING CONDITIONS	37
POWER CONSUMPTION	38
RADIO SPECIFICATIONS	39
Nordic Semiconductor nRF52840 for BLE	39
Nordic Semiconductor nRF52840 for NFC tag	39
u-blox SARA-R510S-01B	39
I/O CHARACTERISTICS	41
Mechanical specifications	42
DIMENSIONS AND WEIGHT	42
3D MODELS	42
MECHANICAL DRAWING	42
MATING CONNECTOR AND LAND PATTERN	43
SCREW ASSEMBLY	44
DESIGN CONSIDERATIONS	44
Product handling	46
ESD PRECAUTIONS	46
CONNECTORS	46
Schematics	47
MICROCONTROLLER	47
U-BLOX CELLULAR MODEM	47
M.2 CONNECTOR	48
SIM AND FLASH	48
Assembly	49
CONFORMAL COATINGS	49
Default settings	50
FCC ISSED CE warnings and end product labeling requirements	51
Certification documents	53
BLUETOOTH - B404X B-SERIES SOM	53
CE (EUROPE) - B404X B-SERIES SOM	53

FCC (UNITED STATES) - B404X B-SERIES SOM	53
ISED (CANADA) - B404X B-SERIES SOM	53
Country compatibility	54
Ordering information	55
Revision history	56

B404X Datasheet



This is a graphic of the B404. The B404X has the same exterior dimensions but the appearance may vary slightly from this graphic.

Functional description

OVERVIEW

The B-Series System-on-a-Module (SoM) is a cellular device with support for BLE (Bluetooth LE). It is based on the Nordic nRF52840 microcontroller.

The B-Series is designed to be integrated into your circuit board design, plugging into a M.2 NGFF connector on your board, allowing the module to be changed or upgraded easily.

FEATURES

Features - B404X

- u-blox SARA-R510S-01B LTE modem (B404X)
- LTE Cat M1 module
- Support for United States, Canada, and Mexico only
- 3GPP Release 14 LTE Cat M1
- LTE Cat M1 bands: 2, 4, 5, 12, 13
- Embedded Particle EtherSIM (B404X)
- Requires Device OS 4.0.0 LTS (or later)

Features - all models

- Nordic Semiconductor nRF52840 SoC
- ARM Cortex-M4F 32-bit processor @ 64MHz
- 1MB flash, 256KB RAM
- Bluetooth 5: 2 Mbps, 1 Mbps, 500 Kbps, 125 Kbps
- Supports DSP instructions, HW accelerated Floating Point Unit (FPU) and encryption functions
- Up to +8 dBm TX power (down to -20 dBm in 4 dB steps)
- NFC-A tag
- On-module additional 4MB SPI flash
- 24 mixed signal GPIO (8 x Analog, 8 x PWM), UART, I2C, SPI
- USB 2.0 full speed (12 Mbps)
- JTAG (SWD) pins
- RGB status pins for LED
- Reset and Mode pins for buttons
- On-module MFF2 Particle SIM
- Two on-module U.FL connectors for external antennas
- M.2 interface
- FCC (United States) and ISED (Canada) certified
- RoHS compliant (lead-free)

MODEL COMPARISON

	B404X	B404	B402	B524	B523
Region	NorAm	NorAm	NorAm	EMEA	Europe
EtherSIM	✓	✓		✓	
Supply Secure	✓			✓	
Lifecycle	GA	NRND	Deprecated	GA	Deprecated

- EtherSIM devices generally have a larger number of carriers and more may be added in the future
- NorAm: North America (United States, Canada, and Mexico)

- EMEA: Europe, Middle East, Africa, and Asia (not all countries supported)
- NRND: Not recommended for new designs
- See the [Carrier list](#) for specific carrier and country compatibility
- See the [Supply secure FAQ](#) for more information
- See [Lifestyle stages](#) for more information

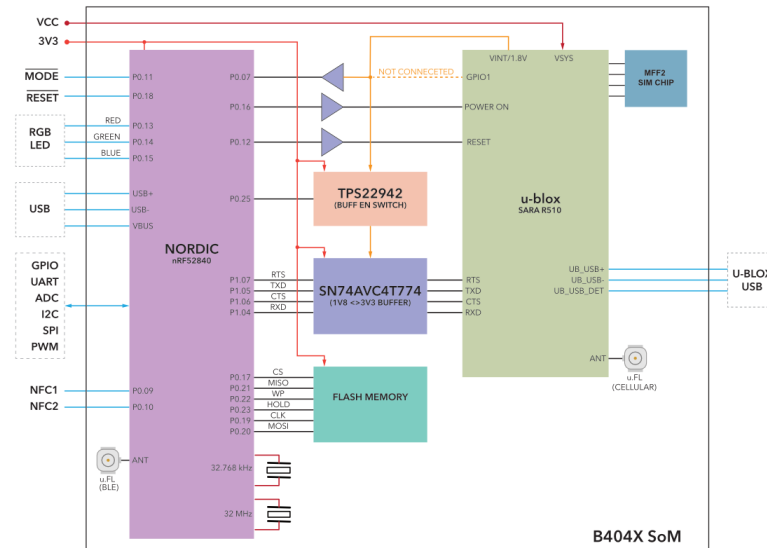
DEVICE OS SUPPORT

It is recommended that you use the latest version in the 4.x LTS release line with the B404X. The minimum required version is 4.0.0. You cannot use the B404X with Device OS 2.x LTS.

For information on upgrading Device OS, see [Version information](#). For the latest version shipped from the factory, see [Manufacturing firmware versions](#) page. See also [Long Term Support \(LTS\) releases](#).

Interfaces

BLOCK DIAGRAM



POWER

VCC

VCC is used to supply power to the u-blox SARA-R510S cellular module. The recommended input voltage range on this pin is between 3.6V to 4.2V DC. This can be connected directly to a 3.7V LiPo battery.

If you are not using a battery, or using a battery of a different voltage, you should use a regulator to supply 3.7V to 4.2V. While you only need 600mA for the B404X, we recommend 2A for compatibility with future SoM modules.

3V3

3V3 is used to supply power to nRF52840, logic ICs, memory, etc.. The 3V3 input voltage range is between 3V to 3.6V DC, but 3.3V is recommended. Make sure that the supply can handle a minimum of 150 mA, however we recommend a minimum of 500 mA supplied from your base board to allow for compatibility with future modules.

These limits do not include any 3.3V peripherals on your base board, so that may increase the current requirements.

Power supply requirements:

- 3.3V output
- Maximum 5% voltage drop
- 100 mV peak-to-peak ripple maximum
- 500 mA minimum output current at 3.3V recommended for future compatibility
- Maintain these values at no-load as well as maximum load

We do not recommend using a single 3.6V supply for both VCC and 3V3 as the cellular modem performance may be lower below 3.7V. Use two separate regulators for best results.

VBus

VBus is connected to the USB detect pin of nRF52840 to enable the USB interface. The recommended input voltage range is between 4.35V to 5.5V DC.

ANTENNA

There are two radios on the B402 module. A BLE radio (nRF52840) and a cellular radio (u-blox). We have provided two u.FL connectors to plug in the cellular and BLE antenna. These are required if you wish to use the cellular and BLE. If you do not need BLE, you do not need to connect the BLE antenna.

Certified cellular antenna

The following antenna is included in single-unit packages that include an antenna.

Antenna	SKU	Details	Links
Wide band LTE-CAT M1 cell antenna, [x1]	PARANTC41EA	B404X, BRN404X, and E404X	Datasheet
Wide band LTE-CAT M1 cell antenna, [x50]	PARANTC41TY	B404X, BRN404X, and E404X	Datasheet

General antenna parameters:

Parameter	Value	Unit
Antenna Type	Dipole	
Radiation Properties	Omnidirectional	
Maximum Input Power	5	watts
Polarization	Linear	
Impedance	50	ohms

Antenna parameters in frequency ranges:

Parameter	698 MHz - 894 MHz	1700 MHz - 2690 MHz	Unit
Peak Gain	2.46	3.86	dBi
Efficiency	65.46	54.95	%
Average Gain	1	0.98	

Antenna parameters in specific frequency bands:

Parameter	698 MHz	894 MHz	1700 MHz	2170 MHz	2690 MHz	Unit
Max VSWR	1.6	1.8	1.7	2.8	2.5	
Max Return Loss	-12	-10	-11	-6	-7	dB

Mechanical:

Parameter	Value	Unit
Dimensions	122.1 x 12.8 x 0.2	mm
Material	Flexible polymer	
Connector and cable	U.FL and 1.13mm mini coax	
Cable length	183	mm

Environmental:

Parameter	Value
Operating temperature	-40°C to 85°C
Storage temperature	-40°C to 85°C
ROHS Compliant	✓

Particle devices are certified for use only with the designated antenna specified above. The use of

alternative antennas with our modules could necessitate a recertification process. To fully understand the potential consequences of using a non-certified antenna, Particle strongly advises seeking consultation with a qualified RF expert.

Alternate cellular antenna

Additionally, the following antenna is certified as an alternative antenna.

Antenna	SKU	Details	Links
Taoglas Cellular Flex Antenna 2G/3G/LTE 5dBi, [x1]	ANT-FLXU	Boron and Electron/E-Series LTE M1	Datasheet Retail Store
Taoglas Cellular Flex Antenna 2G/3G/LTE 5dBi, [x50]	ANT-FLXU-50	Boron and Electron/E-Series LTE M1	Datasheet

General antenna parameters:

Parameter	Value	Unit
Antenna Type	Dipole	
Radiation Properties	Omnidirectional	
Maximum Input Power	5	watts
Polarization	Linear	
Impedance	50	ohms

Antenna parameters in frequency ranges:

Parameter	700/850/900	1700/1800/1900	2100	2400	2600	Unit
Peak Gain	1	3.5	5	5	4.5	dBi
Efficiency	50	78	65	75	75	%
Average Gain	-3	-2	-2.5	-2	-2	dB

Antenna parameters in specific frequency bands:

Parameter	700/850/900	1700/1800/1900	2100	2400	2600	Unit
Max VSWR	2.0	1.8	1.7	1.7	2.3	
Max Return Loss	-10	-11	-12	-12	-8	dB

Mechanical:

Parameter	Value	Unit
Dimensions	96 x 21 x 0.2	mm
Material	Flexible polymer	
Connector and cable	U.FL and 1.37mm mini coax	
Cable length	150	mm

Environmental:

Parameter	Value
Operating temperature	-40°C to 85°C
Storage temperature	-40°C to 85°C
ROHS Compliant	✓

Certified BLE antenna

The following antenna is optional and can be omitted if you do not wish to use BLE. It can be

purchased in the [Particle online store](#).

Antenna	SKU	Links
Particle Wi-Fi Antenna 2.4GHz, [x1]	ANT-FLXV2	Datasheet Retail Store
Particle Wi-Fi Antenna 2.4GHz, [x50]	ANT-FLXV2-50	Datasheet

General antenna parameters:

Parameter	Value	Unit
Antenna Type	Dipole	
Radiation Properties	Omnidirectional	
Polarization	Vertical	
Impedance	50	ohms
Peak Gain	2.0	dBi
Max VSWR	< 2.0	

Mechanical:

Parameter	Value	Unit
Dimensions	45.1 x 7.4 x 1.0	mm
Material	PCB	
Connector	U.FL (IPEX)	
Cable	Mini-coax 1.13mm	
Cable length	120	mm

Environmental:

Parameter	Value
Operating temperature	-20°C to 75°C
Storage temperature	-20°C to 75°C
ROHS Compliant	✓

Certified NFC antenna

Antenna	SKU	Links
Particle NFC Antenna, [x1]	ANT-NFC	Datasheet Retail Store

General antenna parameters:

Parameter	Value	Unit
Frequency	13.56 MHz	
Communication Distance (max)	52	mm

Mechanical:

Parameter	Value	Unit
Dimensions	35 x 35	mm
Connector and cable	U.FL and 1.13mm mini coax	
Cable length	100	mm

Environmental:

Parameter	Value
-----------	-------

Operating temperature	-20°C to 85°C
Storage temperature	-20°C to 85°C
ROHS Compliant	✓

General antenna guidance

- The antenna placement needs to follow some basic rules, as any antenna is sensitive to its environment. Mount the antenna at least 10mm from metal components or surfaces, ideally 20mm for best radiation efficiency, and try to maintain a minimum of three directions free from obstructions to be able to operate effectively.
- Needs tuning with actual product enclosure and all components.
- For the BLE antenna, it is recommended to use a 2.4 GHz single-frequency antenna and not a 2.4 GHz + 5 GHz antenna, so as to avoid large gain at the frequency twice of 2.4 GHz which can cause the second harmonic radiation of 2.4 GHz to exceed standards.

PERIPHERALS AND GPIO

Peripheral Type	Qty	Input(I) / Output(O)
Digital	24 (max)	I/O
Analog (ADC)	8 (max)	I
UART	1	I/O
SPI	2	I/O
I2C	2	I/O
USB	1	I/O
PWM	8 (max)	O
NFC	1	O

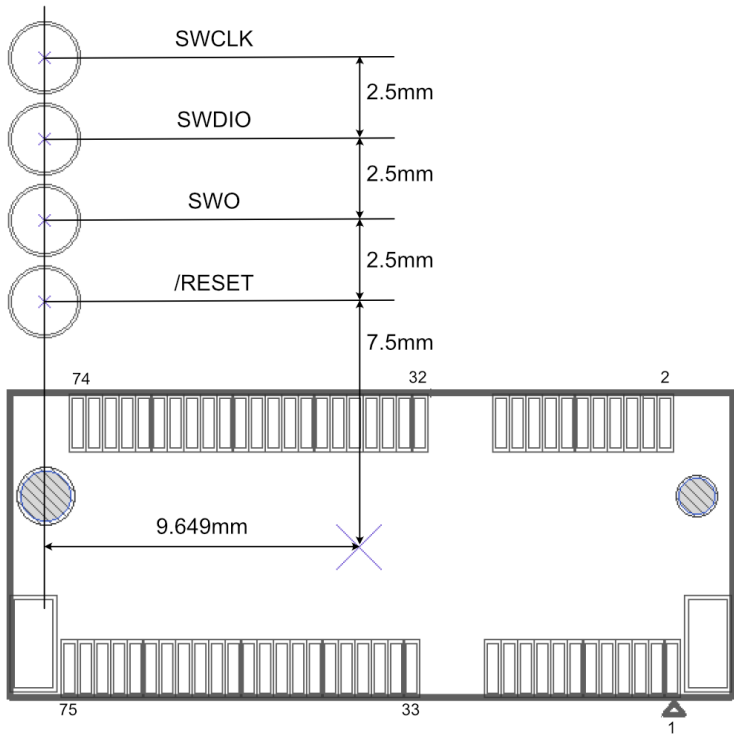
There are some optional B402 module specific I/O:

- u-blox USB and VBUS (for u-blox firmware upgrades)

Note: All GPIOs are only rated at 3.3VDC max.

JTAG AND SWD

The B402 module has 4 pads at the bottom exposing the SWD interface of the nRF52840. This interface can be used to debug your code or reprogram your B402 bootloader, device OS, or the user firmware. We use 4 pogo-pins connecting to these pads during production for firmware flashing.



Memory map

NRF52840 FLASH LAYOUT OVERVIEW

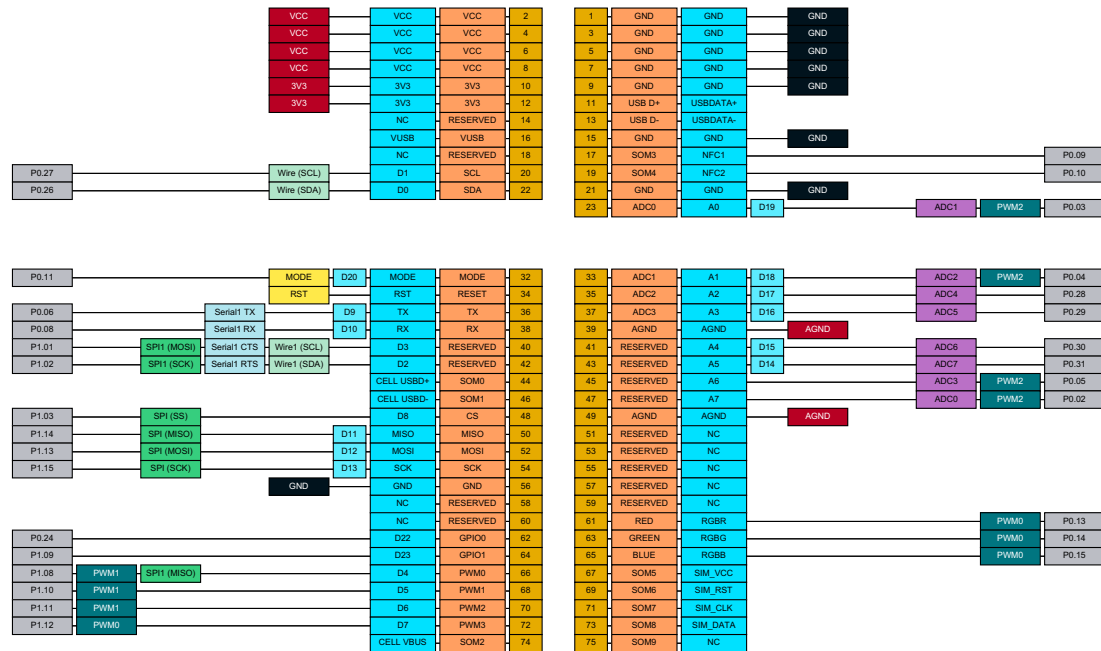
- Bootloader (48KB, @0xF4000)
- User Application
- 256KB @ 0xB4000 (Device OS 3.1 and later)
- 128KB @ 0xD4000 (Device OS 3.0 and earlier)
- System (656KB, @0x30000)
- SoftDevice (192KB)

EXTERNAL SPI FLASH LAYOUT OVERVIEW (DFU OFFSET: 0X80000000)

- OTA (1500KB, @0x00289000)
- Reserved (420KB, @0x00220000)
- FAC (128KB, @0x00200000)
- LittleFS (2M, @0x00000000)

Pins and button definitions

PINOUT DIAGRAM



COMMON SOM PINS

RESERVED and **SOM** pins may vary across different SoM models. If you are designing for this specific module, or similar (modules), you can use the indicated functions even if the pin is marked RESERVED. Most nRF52840-based modules will have the same pin functions on the RESERVED pins

Future modules with a different MCU may have different pin functions. An effort will be made to assign all of the listed functions for ADC, PWM, SPI, etc. from the set of common SoM pin functions in future modules, but the functions on RESERVED and SOM pins will likely vary.

GPIO AND PORT LISTING

Pin Name	Module Pin	MCU
A0 / D19	23	ADC1 P0.03
A1 / D18	33	ADC2 P0.04
A2 / D17	35	ADC4 P0.28
A3 / D16	37	ADC5 P0.29
A4 / D15	41	ADC6 P0.30
A5 / D14	43	ADC7 P0.31
A6	45	ADC3 P0.05
A7	47	ADC0 P0.02
CELL USBD-	46	
CELL USBD+	44	
CELL VBUS	74	
D0	22	Wire (SDA) P0.26
D1	20	Wire (SCL) P0.27
D2	42	Wire1 (SDA) SPI1 (SCK) Serial1 RTS P1.02

D3	40	Wire1 (SCL)	SPI1 (MOSI)	Serial1 CTS	P1.01
D4	66		SPI1 (MISO)		P1.08
D5	68				P1.10
D6	70				P1.11
D7	72				P1.12
D8	48		SPI (SS)		P1.03
D22	62				P0.24
D23	64				P1.09
MISO / D11	50		SPI (MISO)		P1.14
MOSI / D12	52		SPI (MOSI)		P1.13
NC	14				
NC	75				
NFC1	17				P0.09
NFC2	19				P0.10
RGBB	65				P0.15
RGBG	63				P0.14
RGBR	61				P0.13
RX / D10	38			Serial1 RX	P0.08
SCK / D13	54		SPI (SCK)		P1.15
SIM_CLK	71				
SIM_DATA	73				
SIM_RST	69				
SIM_VCC	67				
TX / D9	36			Serial1 TX	P0.06
USBDATA-	13				
USBDATA+	11				
VUSB	16				

ADC (ANALOG TO DIGITAL CONVERTER)

The B404X supports 8 ADC inputs.

Pin	Pin Name	Description	Interface	MCU
23	A0 / D19	A0 Analog in, GPIO, PWM	ADC1	P0.03
33	A1 / D18	A1 Analog in, GPIO, PWM	ADC2	P0.04
35	A2 / D17	A2 Analog in, GPIO	ADC4	P0.28
37	A3 / D16	A3 Analog in, GPIO	ADC5	P0.29
41	A4 / D15	A4 Analog in, GPIO	ADC6	P0.30
43	A5 / D14	A5 Analog in, GPIO	ADC7	P0.31
45	A6	A6 Analog in, PWM, GPIO	ADC3	P0.05
47	A7	A7 Analog in, GPIO, Ethernet Reset	ADC0	P0.02

- ADC inputs are single-ended and limited to 0 to 3.3V
- Resolution is 12 bits

On the B404X, BRN404X, and E404X, the ADC reference is the nRF52840 internal 0.6V reference, with a 1/6 gain from the input pin. This is different than other Gen 3 devices which use 3V3 as the

ADC reference.

This will only affect B404X designs that have a 3V3 voltage that is not 3.3V. Previously, the ADC values would vary with the 3V3 voltage.

This reference and gain combination is a range of 0 to 3.6V for 0 - 4095. This is scaled in software so 3.3V will still be 4095, so there will be a slight loss of resolution.

UART SERIAL

The B404X supports one UART serial interfaces.

Pin	Pin Name	Description	Interface	MCU
36	TX / D9	Serial TX, GPIO	Serial1 TX	P0.06
38	RX / D10	Serial RX, GPIO	Serial1 RX	P0.08
40	D3	SPI1 MOSI, Serial1 CTS, GPIO, Wire1 SCL	Serial1 CTS	P1.01
42	D2	SPI1 SCK, Serial1 RTS, PWM, GPIO, Wire1 SDA	Serial1 RTS	P1.02

- The UART pins are 3.3V and must not be connected directly to a RS-232C port or to a 5V TTL serial port
- Hardware flow control is optional; if not used then the RTS and CTS pins can be used as regular GPIO
- You cannot use hardware flow control and Ethernet at the same time.

SPI

The B404X supports two SPI (serial peripheral interconnect) ports.

Pin	Pin Name	Description	Interface	MCU
40	D3	SPI1 MOSI, Serial1 CTS, GPIO, Wire1 SCL	SPI1 (MOSI)	P1.01
42	D2	SPI1 SCK, Serial1 RTS, PWM, GPIO, Wire1 SDA	SPI1 (SCK)	P1.02
48	D8	GPIO, SPI SS, Ethernet CS	SPI (SS)	P1.03
50	MISO / D11	SPI MISO, GPIO	SPI (MISO)	P1.14
52	MOSI / D12	SPI MOSI, GPIO	SPI (MOSI)	P1.13
54	SCK / D13	SPI SCK, GPIO	SPI (SCK)	P1.15
66	D4	SPI1 MISO, PWM, GPIO	SPI1 (MISO)	P1.08

- The SPI port is 3.3V and must not be connected directly to devices that drive MISO at 5V
- If not using a SPI port, its pins can be used as GPIO
- Any pins can be used as the SPI chip select
- Multiple devices can generally share a single SPI port
- You cannot use SPI1 and Ethernet at the same time.

I2C

The B404X supports two I2C (two-wire serial interface) ports.

Pin	Pin Name	Description	Interface	MCU
20	D1	I2C SCL, GPIO	Wire (SCL)	P0.27
22	D0	I2C SDA, GPIO	Wire (SDA)	P0.26
40	D3	SPI1 MOSI, Serial1 CTS, GPIO, Wire1 SCL	Wire1 (SCL)	P1.01

- The I2C port is 3.3V and must not be connected directly a 5V I2C bus
- Maximum bus speed is 400 kHz
- External pull-up resistors are recommended for I2C as the internal pull-up is 13K.
- If not using I2C, pins D0 and D1 can be used as GPIO or analog input.
- You cannot use Wire1 and Ethernet at the same time.

PWM

The B404X supports PWM (pulse-width modulation) on the following pins:

Pin	Pin Name	Description	Timer	MCU
23	A0 / D19	A0 Analog in, GPIO, PWM	PWM2	P0.03
33	A1 / D18	A1 Analog in, GPIO, PWM	PWM2	P0.04
45	A6	A6 Analog in, PWM, GPIO	PWM2	P0.05
47	A7	A7 Analog in, GPIO, Ethernet Reset	PWM2	P0.02
66	D4	SPI1 MISO, PWM, GPIO	PWM1	P1.08
68	D5	PWM, GPIO	PWM1	P1.10
70	D6	PWM, GPIO	PWM1	P1.11
72	D7	PWM, GPIO	PWM0	P1.12

- PWM that share the same timer (PWM2 for example) must share the same frequency but can have different duty cycles.
- Pin D7 (PWM0) share a timer with the RGB LED and you should not change its frequency but it can have a different duty cycle.

USB

The B404X supports a USB interface for programming the device and for USB serial (CDC) communications. The module itself does not contain a USB connector; you typically add a micro USB or USB C connector on your base board. It is optional but recommended.

Pin	Pin Name	Description	MCU
11	USBDATA+	USB Data+	
13	USBDATA-	USB Data-	
16	VUSB	USB VUSB power pin	
44	CELL USBD+	Cellular Modem USB Data+	
46	CELL USBD-	Cellular Modem USB Data-	

- The Cellular Modem USB connector is optional, and can be used for firmware updates of the cellular module.

RGB LED

The B404X supports an external common anode RGB LED.

One common LED that meets the requirements is the [Cree CLMVC-FKA-CL1D1L71BB7C3C3](#) which is inexpensive and easily procured. You need to add three current limiting resistors. With this LED, we typically use 1K ohm current limiting resistors. These are much larger than necessary. They make the LED less blinding but still provide sufficient current to light the LEDs. If you want

maximum brightness you should use the calculated values - 33 ohm on red, and 66 ohm on green and blue.

A detailed explanation of different color codes of the RGB system LED can be found [here](#).

The use of the RGB LED is optional, however it is highly recommended as troubleshooting the device without the LED is very difficult.

Pin	Pin Name	Description	MCU
61	RGBR	RGB LED Red	P0.13
63	RGBG	RGB LED Green	P0.14
65	RGBB	RGB LED Blue	P0.15

SETUP AND RESET BUTTON

It is highly recommended that you add MODE (SETUP) and RESET buttons to your base board using momentary switches that connect to GND. These are necessary to change the operating mode of the device, for example to enter listening or DFU mode.

Pin	Pin Name	Description	MCU
32	MODE / D20	MODE button, has internal pull-up	P0.11
34	RST	Hardware reset, active low. External pull-up required.	

The MODE button does not have a hardware pull-up on it, so you must add an external pull-up (2.2K to 10K) to 3V3, or connect it to 3V3 if not using a button.

The RST pin does have an internal weak pull-up, but you may want to add external pull-up on that as well, especially if you use an off-board reset button connected by long wires.

PIN DESCRIPTION

#	Pin	Common	Function	nRF52	Description
1	GND	GND	POWER		System ground.
2	VCC	VCC	POWER		System power in, connect to the +LiPo or supply a fixed 3.6-4.2v power.
3	GND	GND	POWER		System ground.
4	VCC	VCC	POWER		System power in, connect to the +LiPo or supply a fixed 3.6-4.2v power.
5	GND	GND	POWER		System ground.
6	VCC	VCC	POWER		System power in, connect to the +LiPo or supply a fixed 3.6-4.2v power.
7	GND	GND	POWER		System ground.
8	VCC	VCC	POWER		System power in, connect to the +LiPo or supply a fixed 3.6-4.2v power.
9	GND	GND	POWER		System ground.
10	3V3	3V3	POWER		System power in, supply a fixed 3.0-3.6v power.
11	USB D+	USB D+	IO		Data+ pin of the NRF52840 USB port.
12	3V3	3V3	POWER		System power in, supply a fixed 3.0-3.6v power.
13	USB D-	USB D-	IO		Data- pin of the NRF52840 USB port.
14	NC	RESERVED ³	NC		Leave unconnected.
15	GND	GND	POWER		System ground.

16	VUSB	VUSB	POWER		System power in, USB detect pin for nRF52840. 5V on this pin enables the USB interface.
17	NFC1	SOM3 ³	NFC input	P0.09	NFC antenna connection.
18	NC	RESERVED ³	NC		Leave unconnected.
19	NFC2	SOM4 ³	NFC input	P0.10	NFC antenna connection.
20	D1	SCL	IO	P0.27	I2C SCL, and digital only GPIO.
21	GND	GND	POWER		System ground.
22	D0	SDA	IO	P0.26	I2C SDA, and digital only GPIO.
23	A0	ADC0	IO	P0.03	Analog input ADC0 ² , and digital GPIO.
32	MODE	MODE	IO	P0.11	Connected to the MODE button input, and digital only GPIO.
33	A1	ADC1	IO	P0.04	Analog input ADC1 ² , and digital GPIO.
34	RESET	RESET	I		Active-low reset input.
35	A2	ADC2	IO	P0.28	Analog input ADC2 ² , and digital GPIO.
36	D9	TX	IO	P0.06	Primarily used as UART TX, but can also be used as a digital GPIO.
37	A3	ADC3	IO	P0.29	Analog input ADC3 ² , and digital GPIO.
38	D10	RX	IO	P0.08	Primarily used as UART RX, but can also be used as a digital GPIO.
39	AGND	AGND	POWER		System analog ground.
40	D3	RESERVED ³	IO	P1.01	UART flow control CTS, SCL1 (Wire1), SPI1 MOSI, digital only GPIO.
41	A4	RESERVED ³	IO	P0.30	Analog input ADC4 ² , and digital GPIO.
42	D2	RESERVED ³	IO	P1.02	UART flow control RTS, SDA1 (Wire1), SPI1 SCK, digital only GPIO.
43	A5	RESERVED ³	IO	P0.31	Analog input ADC5 ² , and digital GPIO.
44	u-blox USB D+	SOM0	IO		Data+ pin of the cellular modem USB port.
45	A6	RESERVED ³	IO	P0.05	Analog input ADC6 ² , and digital GPIO.
46	u-blox USB D-	SOM1	IO		Data- pin of the cellular modem USB port.
47	A7	RESERVED ³	IO	P0.02	Analog input ADC7 ² , and digital GPIO.
48	D8	CS	IO	P1.03	SPI interface CS, and digital only GPIO.
49	AGND	AGND	POWER		System analog ground.
50	D11	MISO	IO	P1.14	SPI interface MISO, and digital only GPIO.
51	NC	RESERVED ³	NC		Leave unconnected.
52	D12	MOSI	IO	P1.13	SPI interface MOSI, and digital only GPIO.
53	NC	RESERVED ³	NC		Leave unconnected.
54	D13	SCK	IO	P1.15	SPI interface SCK, and digital only GPIO.
55	NC	RESERVED ³	NC		Leave unconnected.
56	GND	GND	POWER		System analog ground.
57	NC	RESERVED ³	NC		Leave unconnected.
58	NC	RESERVED ³	NC		Leave unconnected.
59	NC	RESERVED ³	NC		Leave unconnected.
60	NC	RESERVED ³	NC		Leave unconnected.
61	RGBR	RED	IO	P0.13	Red pin of the RGB LED.
62	D22	GPIO0	IO	P0.24	GPIO0, digital only.

63	RGBG	GREEN	IO	P0.14	Green pin of the RGB LED.
64	D23	GPIO1	IO	P1.09	GPIO1, digital only.
65	RGBB	BLUE	IO	P0.15	Blue pin of the RGB LED.
66	D4	PWM0	IO	P1.08	SPI1 MISO, Digital only GPIO, and PWM0.
67	SIM_VCC ¹	SOM5 ³	POWER		Leave unconnected, 1.8V/3V SIM Supply Output from cellular modem.
68	D5	PWM1	IO	P1.10	Digital only GPIO, and PWM1.
69	SIM_RST ¹	SOM6 ³	IO		Leave unconnected, 1.8V/3V SIM Reset Output from cellular modem.
70	D6	PWM2	IO	P1.11	Digital only GPIO, and PWM2.
71	SIM_CLK ¹	SOM7 ³	IO		Leave unconnected, 1.8V/3V SIM Clock Output from cellular modem.
72	D7	PWM3	IO	P1.12	Digital only GPIO, and PWM3.
73	SIM_DATA ¹	SOM8 ³	IO		Leave unconnected, 1.8V/3V SIM Data I/O of cellular modem with internal 4.7 k pull-up.
74	u-blox VBUS	SOM2 ³	IO		USB detect pin for cellular modem. 5V on this pin enables the u-blox USB interface.
75	NC	SOM9 ³	NC		Leave unconnected.

¹These pins are connected to the internal MFF2 SIM and should be left open.

²A0-A7 are 12-bit Analog-to-Digital (A/D) inputs (0-4095).

³SoM-specific and Reserved pins will vary depending on module. They are able to be used on the B402, but their function may be different on future modules.

By default, the Tinker application firmware enables the use of the bq24195 PMIC and MAX17043 fuel gauge. This in turn uses I2C (D0 and D1) and pin A6 (PM_INT). If you are not using the PMIC and fuel gauge and wish to use these pins for other purposes, be sure to disable system power configuration. This setting is persistent, so you may want to disable it with your manufacturing firmware only.

```
System.setPowerConfiguration(SystemPowerConfiguration());
```

If you are using Ethernet with the B-Series SoM, the following pins are used by Ethernet:

Device OS Pin	M.2 Pin	Ethernet Pin
MISO	50	SPI MISO
MOSI	52	SPI MOSI
SCK	54	SPI SCK
A7	47	nRESET
D22	62	nINTERRUPT
D8	48	nCHIP SELECT

COMPLETE MODULE PIN DETAILS

1 GND

Details

Pin Number 1

Pin Name GND

Description Ground.

2 VCC

Details

Pin Number 2

Pin Name VCC

Description System power in, connect to the +LiPo or supply a fixed 3.6-4.3v power.

3 GND

Details

Pin Number 3

Pin Name GND

Description Ground.

4 VCC

Details

Pin Number 4

Pin Name VCC

Description System power in, connect to the +LiPo or supply a fixed 3.6-4.3v power.

5 GND

Details

Pin Number 5

Pin Name GND

Description Ground.

6 VCC

Details

Pin Number 6

Pin Name VCC

Description System power in, connect to the +LiPo or supply a fixed 3.6-4.3v power.

7 GND

Details

Pin Number 7

Pin Name GND

Description Ground.

8 VCC

Details

Pin Number 8

Pin Name VCC

Description System power in, connect to the +LiPo or supply a fixed 3.6-4.3v power.

9 GND

Details

Pin Number	9
Pin Name	GND
Description	Ground.

10 3V3**Details**

Pin Number	10
Pin Name	3V3
Description	System power in, supply a fixed 3.0-3.6v power.

11 USBDATA+**Details**

Pin Number	11
Pin Name	USBDATA+
Description	USB Data+
Input is 5V Tolerant	Yes

12 3V3**Details**

Pin Number	12
Pin Name	3V3
Description	System power in, supply a fixed 3.0-3.6v power.

13 USBDATA-**Details**

Pin Number	13
Pin Name	USBDATA-
Description	USB Data-
Input is 5V Tolerant	Yes

14 NC**Details**

Pin Number	14
Pin Name	NC

15 GND**Details**

Pin Number	15
Pin Name	GND
Description	Ground.

16 VUSB**Details**

Pin Number	16
------------	----

Pin Name	VUSB
Description	USB VUSB power pin
Input is 5V Tolerant	Yes

17 NFC1

Details

Pin Number	17
Pin Name	NFC1
Description	NFC Antenna 1
MCU Pin	P0.09

18 NC

Details

Pin Number	18
Pin Name	NC

19 NFC2

Details

Pin Number	19
Pin Name	NFC2
Description	NFC Antenna 2
MCU Pin	P0.10

20 D1

Details

Pin Number	20
Pin Name	D1
Description	I2C SCL, GPIO
Supports digitalRead	Yes
Supports digitalWrite	Yes
I2C interface	SCL. Use Wire object.
Supports attachInterrupt	Yes. You can only have 8 active interrupt pins.
Internal pull resistance	13K
MCU Pin	P0.27

21 GND

Details

Pin Number	21
Pin Name	GND
Description	Ground.

22 D0

Details

Pin Number	22
Pin Name	D0

Description	I2C SDA, GPIO
Supports digitalRead	Yes
Supports digitalWrite	Yes
I2C interface	SDA. Use Wire object.
Supports attachInterrupt	Yes. You can only have 8 active interrupt pins.
Internal pull resistance	13K
MCU Pin	P0.26

23 A0

Details

Pin Number	23
Pin Name	A0
Pin Alternate Name	D19
Description	A0 Analog in, GPIO, PWM
Supports digitalRead	Yes
Supports digitalWrite	Yes
Supports analogRead	Yes
Supports analogWrite (PWM)	Yes
Supports tone	A0, A1, A6, and A7 must have the same frequency.
Supports attachInterrupt	Yes. You can only have 8 active interrupt pins.
Internal pull resistance	13K
MCU Pin	P0.03

32 MODE

Details

Pin Number	32
Pin Name	MODE
Pin Alternate Name	D20
Description	MODE button, has internal pull-up
MCU Pin	P0.11

33 A1

Details

Pin Number	33
Pin Name	A1
Pin Alternate Name	D18
Description	A1 Analog in, GPIO, PWM
Supports digitalRead	Yes
Supports digitalWrite	Yes
Supports analogRead	Yes
Supports analogWrite (PWM)	Yes
Supports tone	A0, A1, A6, and A7 must have the same frequency.
Supports attachInterrupt	Yes. You can only have 8 active interrupt pins.
Internal pull resistance	13K
MCU Pin	P0.04

34 RST

Details

Pin Number	34
Pin Name	RST
Description	Hardware reset, active low. External pull-up required.

35 A2

Details

Pin Number	35
Pin Name	A2
Pin Alternate Name	D17
Description	A2 Analog in, GPIO
Supports digitalRead	Yes
Supports digitalWrite	Yes
Supports analogRead	Yes
Supports attachInterrupt	Yes. You can only have 8 active interrupt pins.
Internal pull resistance	13K
MCU Pin	P0.28

36 TX

Details

Pin Number	36
Pin Name	TX
Pin Alternate Name	D9
Description	Serial TX, GPIO
Supports digitalRead	Yes
Supports digitalWrite	Yes
UART serial	TX. Use Serial1 object.
Supports attachInterrupt	Yes. You can only have 8 active interrupt pins.
Internal pull resistance	13K
MCU Pin	P0.06

37 A3

Details

Pin Number	37
Pin Name	A3
Pin Alternate Name	D16
Description	A3 Analog in, GPIO
Supports digitalRead	Yes
Supports digitalWrite	Yes
Supports analogRead	Yes
Supports attachInterrupt	Yes. You can only have 8 active interrupt pins.
Internal pull resistance	13K
MCU Pin	P0.29

38 RX

Details

Pin Number	38
Pin Name	RX
Pin Alternate Name	D10
Description	Serial RX, GPIO
Supports digitalRead	Yes
Supports digitalWrite	Yes
UART serial	RX. Use Serial1 object.
Supports attachInterrupt	Yes. You can only have 8 active interrupt pins.
Internal pull resistance	13K
MCU Pin	P0.08

39 AGND

Details

Pin Number	39
Pin Name	AGND
Description	Analog Ground.

40 D3

Details

Pin Number	40
Pin Name	D3
Description	SPI1 MOSI, Serial1 CTS, GPIO, Wire1 SCL
Supports digitalRead	Yes
Supports digitalWrite	Yes
UART serial	CTS. Use Serial1 object.
SPI interface	MOSI. Use SPI1 object.
I2C interface	SCL. Use Wire1 object.
Supports attachInterrupt	Yes. You can only have 8 active interrupt pins.
Internal pull resistance	13K
MCU Pin	P1.01

41 A4

Details

Pin Number	41
Pin Name	A4
Pin Alternate Name	D15
Description	A4 Analog in, GPIO
Supports digitalRead	Yes
Supports digitalWrite	Yes
Supports analogRead	Yes
Supports attachInterrupt	Yes. You can only have 8 active interrupt pins.
Internal pull resistance	13K
MCU Pin	P0.30

42 D2

Details

Pin Number	42
Pin Name	D2
Description	SPI1 SCK, Serial1 RTS, PWM, GPIO, Wire1 SDA
Supports digitalRead	Yes
Supports digitalWrite	Yes
UART serial	RTS. Use Serial1 object.
SPI interface	SCK. Use SPI1 object.
I2C interface	SDA. Use Wire1 object.
Supports attachInterrupt	Yes. You can only have 8 active interrupt pins.
Internal pull resistance	13K
MCU Pin	P1.02

43 A5

Details

Pin Number	43
Pin Name	A5
Pin Alternate Name	D14
Description	A5 Analog in, GPIO
Supports digitalRead	Yes
Supports digitalWrite	Yes
Supports analogRead	Yes
Supports attachInterrupt	Yes. You can only have 8 active interrupt pins.
Internal pull resistance	13K
MCU Pin	P0.31

44 CELL USBD+

Details

Pin Number	44
Pin Name	CELL USBD+
Description	Cellular Modem USB Data+
Input is 5V Tolerant	Yes

45 A6

Details

Pin Number	45
Pin Name	A6
Description	A6 Analog in, PWM, GPIO
Supports digitalRead	Yes
Supports digitalWrite	Yes
Supports analogRead	Yes
Supports analogWrite (PWM)	Yes
Supports tone	A0, A1, A6, and A7 must have the same frequency.
Supports attachInterrupt	Yes. You can only have 8 active interrupt pins.

Internal pull resistance	13K
MCU Pin	P0.05

46 CELL USBD-

Details

Pin Number	46
Pin Name	CELL USBD-
Description	Cellular Modem USB Data-
Input is 5V Tolerant	Yes

47 A7

Details

Pin Number	47
Pin Name	A7
Description	A7 Analog in, GPIO, Ethernet Reset
Supports digitalRead	Yes
Supports digitalWrite	Yes
Supports analogRead	Yes
Supports analogWrite (PWM)	Yes
Supports tone	A0, A1, A6, and A7 must have the same frequency.
Supports attachInterrupt	Yes. You can only have 8 active interrupt pins.
Internal pull resistance	13K
MCU Pin	P0.02

48 D8

Details

Pin Number	48
Pin Name	D8
Description	GPIO, SPI SS, Ethernet CS
Supports digitalRead	Yes
Supports digitalWrite	Yes
SPI interface	SS. Use SPI object. This is only the default SS/CS pin, you can use any GPIO instead.
Supports attachInterrupt	Yes. You can only have 8 active interrupt pins.
Internal pull resistance	13K
MCU Pin	P1.03

49 AGND

Details

Pin Number	49
Pin Name	AGND
Description	Analog Ground.

50 MISO

Details

Pin Number	50
------------	----

Pin Name	MISO
Pin Alternate Name	D11
Description	SPI MISO, GPIO
Supports digitalRead	Yes
Supports digitalWrite	Yes
SPI interface	MISO. Use SPI object.
Supports attachInterrupt	Yes. You can only have 8 active interrupt pins.
Internal pull resistance	13K
MCU Pin	P1.14

51 NC

Details

Pin Number 51

Pin Name NC

52 MOSI

Details

Pin Number	52
Pin Name	MOSI
Pin Alternate Name	D12
Description	SPI MOSI, GPIO
Supports digitalRead	Yes
Supports digitalWrite	Yes
SPI interface	MOSI. Use SPI object.
Supports attachInterrupt	Yes. You can only have 8 active interrupt pins.
Internal pull resistance	13K
MCU Pin	P1.13

53 NC

Details

Pin Number 53

Pin Name NC

54 SCK

Details

Pin Number	54
Pin Name	SCK
Pin Alternate Name	D13
Description	SPI SCK, GPIO
Supports digitalRead	Yes
Supports digitalWrite	Yes
SPI interface	SCK. Use SPI object.
Supports attachInterrupt	Yes. You can only have 8 active interrupt pins.
Internal pull resistance	13K
MCU Pin	P1.15

55 NC**Details**

Pin Number	55
Pin Name	NC

56 GND**Details**

Pin Number	56
Pin Name	GND
Description	Ground.

57 NC**Details**

Pin Number	57
Pin Name	NC

58 NC**Details**

Pin Number	58
Pin Name	NC

59 NC**Details**

Pin Number	59
Pin Name	NC

60 NC**Details**

Pin Number	60
Pin Name	NC

61 RGBR**Details**

Pin Number	61
Pin Name	RGBR
Description	RGB LED Red
MCU Pin	P0.13

62 D22**Details**

Pin Number	62
Pin Name	D22
Description	GPIO, Ethernet INT
Supports digitalRead	Yes
Supports digitalWrite	Yes

Supports attachInterrupt	Yes. You can only have 8 active interrupt pins.
Internal pull resistance	13K
MCU Pin	P0.24

63 RGBG

Details

Pin Number	63
Pin Name	RGBG
Description	RGB LED Green
MCU Pin	P0.14

64 D23

Details

Pin Number	64
Pin Name	D23
Description	GPIO
Supports digitalRead	Yes
Supports digitalWrite	Yes
Supports attachInterrupt	Yes. You can only have 8 active interrupt pins.
Internal pull resistance	13K
MCU Pin	P1.09

65 RGBB

Details

Pin Number	65
Pin Name	RGBB
Description	RGB LED Blue
MCU Pin	P0.15

66 D4

Details

Pin Number	66
Pin Name	D4
Description	SPI1 MISO, PWM, GPIO
Supports digitalRead	Yes
Supports digitalWrite	Yes
Supports analogWrite (PWM)	Yes
Supports tone	D4, D5, and D6 must have the same frequency.
SPI interface	MISO. Use SPI1 object.
Supports attachInterrupt	Yes. You can only have 8 active interrupt pins.
Internal pull resistance	13K
MCU Pin	P1.08

67 SIM_VCC

Details

--	--

Pin Number	67
Pin Name	SIM_VCC
Description	Leave unconnected, 1.8V/3V SIM Supply Output from R410M.

68 D5

Details

Pin Number	68
Pin Name	D5
Description	PWM, GPIO
Supports digitalRead	Yes
Supports digitalWrite	Yes
Supports analogWrite (PWM)	Yes
Supports tone	D4, D5, and D6 must have the same frequency.
Supports attachInterrupt	Yes. You can only have 8 active interrupt pins.
Internal pull resistance	13K
MCU Pin	P1.10

69 SIM_RST

Details

Pin Number	69
Pin Name	SIM_RST
Description	Leave unconnected, 1.8V/3V SIM Reset Output from R410M.

70 D6

Details

Pin Number	70
Pin Name	D6
Description	PWM, GPIO
Supports digitalRead	Yes
Supports digitalWrite	Yes
Supports analogWrite (PWM)	Yes
Supports tone	D4, D5, and D6 must have the same frequency.
Supports attachInterrupt	Yes. You can only have 8 active interrupt pins.
Internal pull resistance	13K
MCU Pin	P1.11

71 SIM_CLK

Details

Pin Number	71
Pin Name	SIM_CLK
Description	Leave unconnected, 1.8V/3V SIM Clock Output from R410M.

72 D7

Details

Pin Number	72
------------	----

Pin Name	D7
Description	PWM, GPIO
Supports digitalRead	Yes
Supports digitalWrite	Yes
Supports analogWrite (PWM)	PWM is shared with the RGB LED, you can specify a different duty cycle but should not change the frequency.
Supports attachInterrupt	Yes. You can only have 8 active interrupt pins.
Internal pull resistance	13K
MCU Pin	P1.12

73 SIM_DATA

Details

Pin Number	73
Pin Name	SIM_DATA
Description	Leave unconnected, 1.8V/3V SIM Data I/O of R410m with internal 4.7 k pull-up.

74 CELL_VBUS

Details

Pin Number	74
Pin Name	CELL_VBUS
Description	USB detect pin for R410M. 5V on this pin enables the Cellular Modem USB interface.
Input is 5V Tolerant	Yes

75 NC

Details

Pin Number	75
Pin Name	NC

LED STATUS

System RGB LED

Unlike the Boron, the B402 module does not have an on-module RGB system status LED. We have provided its individual control pins for you to connect an LED of your liking. This will allow greater flexibility in the end design of your products.

A detailed explanation of different color codes of the RGB system LED can be found [here](#).

PMIC NOTES

When using the B-Series SoM with a bq24195 PMIC, note the following:

By default, the bq24195 sets the input current limit, which affects powering by VIN and VUSB, to 100 mA. This affects the VSYS output of the PMIC, which powers both the cellular modem and 3V3 supply, and is not enough to power the B-Series SoM in normal operation.

If your device has the default firmware (Tinker), it will attempt to connect to the cloud, brown out due to insufficient current, then the device will reset. This may result in what appears to be the status LED blinking white, but is actually rolling reboot caused by brownout.

A factory new B-Series SoM does not enable the PMIC setup. To enable the use of the bq21415, you must enable the system power feature [PMIC_DETECTION](#) in your code. This defaults to off because the B-Series SoM can be used without a PMIC, or with a different PMIC, and also requires I2C on D0/D1, and some base boards may use those pins as GPIO.

Because the input current limit does not affect the battery input (Li+), for troubleshooting purposes it can be helpful to attach a battery to help rule out input current limit issues. It's also possible to supply 3.7V via a bench power supply to the battery input, instead of VIN.

The input current limit can result in a situation where you can't bring up a B-Series SoM because it browns out continuously, but also cannot flash code to it to stop it from browning out. There are two general solutions:

- Attach a battery or supply by Li+ when bringing up a board.
- Use SWD/JTAG and reset halt the MCU. This will prevent it from connecting to the cloud, so you can flash Device OS and firmware to it by SWD.

The input current limit is actually controlled by three factors:

- The [power source max current setting](#) in the PMIC. The default is 900 mA. It can be set to 100, 150, 500, 900, 1200, 1500, 2000, or 3000 mA.
- It is also limited by the hardware ILIM resistor. On Particle devices with a built-in PMIC, this is set to 1590 mA, but if you are implementing your own PMIC hardware, you can adjust this higher.
- When connected by USB, it will use DPDM, current negotiation via the USB DP (D+) and DM (D-) lines.

Note that some 2A tablet chargers and multi-port USB power supplies supply 2A but do not implement DPDM; these will be treated as if VIN was used, and you must set the power source current, otherwise the input current will be limited to 900 mA, which is not enough to power a 2G/3G cellular modem without an attached battery.

Technical specifications

ABSOLUTE MAXIMUM RATINGS ^[1]

Supply voltages

Parameter	Symbol	Min	Typ	Max	Unit
Supply voltages					
Supply Input Voltage	VCC	-0.3		+6.0	V
Supply Input Voltage	3V3	-0.3		+3.9	V
VBUS USB supply voltage	VUSB	-0.3		+5.8	V
I/O pin voltage					
VI/O, VDD ≤ 3.6 V	IO	-0.3		VDD + 0.3	V
VI/O, VDD > 3.6 V	IO	-0.3		+3.9	V
NFC antenna pin current					
I _{NFC1/2}	NFC1/NFC2			80	mA
Radio					
BT RF input level (52840)				10	dBm
Environmental					
Storage temperature		-40		+85	°C

^[1] Stresses beyond those listed under absolute maximum ratings may cause permanent damage to the device. These are stress ratings only, and functional operation of the device at these or any other conditions beyond those indicated under recommended operating conditions is not implied. Exposure to absolute-maximum-rated conditions for extended periods may affect device reliability.

RECOMMENDED OPERATING CONDITIONS

Parameter	Symbol	Min	Typ	Max	Unit
Supply voltages					
Supply Input Voltage	VCC	+3.6	+3.8	+4.2	V
Supply Input Voltage	3V3	+3.0	+3.3	+3.6	V
VBUS USB supply voltage	VUSB	+4.35	+5.0	+5.5	V
Environmental					
Normal operating temperature ¹		-20	+25	+65	°C
Extended operating temperature ²		-40		+85	°C
Humidity Range Non condensing, relative humidity				95	%

Notes:

¹ Normal operating temperature range (fully functional and meet 3GPP specifications).

² Extended operating temperature range (RF performance may be affected outside normal operating range, though module is fully functional)

POWER CONSUMPTION

Values are from B404/B402. Actual operating current with cellular using the R510 modem may vary but should be similar.

Parameter	Symbol	Min	Typ	Peak	Unit
Operating Current (uC on, peripherals and radio disabled)	I_{idle}	4.48	4.71	5.17	mA
Operating Current (uC on, cellular on but not connected)	I_{cell_idle}	5.1	45.2	166	mA
Operating Current (uC on, cellular connecting to tower)	$I_{cell_conn_twr}$	13.7	56.0	192	mA
Operating Current (uC on, cellular connecting to cloud)	$I_{cell_conn_cloud}$		63.2	185	mA
Operating Current (uC on, cellular connected but idle)	$I_{cell_cloud_idle}$	13.4	15.5	98.3	mA
Operating Current (uC on, cellular connected and transmitting)	$I_{cell_cloud_tx}$	9.47	66.3	192	mA
STOP mode sleep, GPIO wake-up	I_{stop_gpio}	552	555	559	uA
STOP mode sleep, analog wake-up	I_{stop_analog}	554	557	559	uA
STOP mode sleep, RTC wake-up	I_{stop_intrtc}	553	556	558	uA
STOP mode sleep, BLE wake-up, advertising	$I_{stop_ble_adv}$		631	2650	uA
STOP mode sleep, BLE wake-up, connected	$I_{stop_ble_conn}$	47.3	630	1540	uA
STOP mode sleep, serial wake-up	I_{stop_usart}	553	556	558	uA
STOP mode sleep, cellular wake-up	I_{stop_cell}	8.87	9.65	63.6	mA
ULP mode sleep, GPIO wake-up	I_{ulp_gpio}	44.7	47.6	49.6	uA
ULP mode sleep, analog wake-up	I_{ulp_analog}	45.0	47.8	49.5	uA
ULP mode sleep, RTC wake-up	I_{ulp_intrtc}	43.4	46.4	47.9	uA
ULP mode sleep, BLE wake-up, advertising	$I_{ulp_ble_adv}$		130	2560	uA
ULP mode sleep, BLE wake-up, connected	$I_{ulp_ble_conn}$		121	1010	uA
ULP mode sleep, serial wake-up	I_{ulp_usart}	554	557	559	uA
ULP mode sleep, cellular wake-up	I_{ulp_cell}	0.37	9.47	53.7	mA
HIBERNATE mode sleep, GPIO wake-up	I_{hib_gpio}	23.6	26.0	29.7	uA
HIBERNATE mode sleep, analog wake-up	I_{hib_analog}	23.9	26.5	30.5	uA

¹The min, and particularly peak, values may consist of very short transients. The typical (typ) values are the best indicator of overall power consumption over time. The peak values indicate the absolute minimum capacity of the power supply necessary, not overall consumption.

RADIO SPECIFICATIONS

The B-Series SoM has two radio modules.

Nordic Semiconductor nRF52840 for BLE

Feature	Description
Feature	Bluetooth LE 5
Operating Frequencies	2360 to 2500 MHz
Output Power	Programmable -20dBm to +8dBm
PLL channel spacing	1 MHz
On the air data rate	125 to 2000 kbps

Nordic Semiconductor nRF52840 for NFC tag

Feature	Description
Feature	NFC Tag-A
Frequency	13.56 MHz

u-blox SARA-R510S-01B

Parameter	Value	FCC Certified
Protocol stack	3GPP Release 13 LTE Cat M1	
	3GPP Release 14 LTE Cat M1 ¹	
RAT	LTE Cat M1 Half-Duplex	
LTE FDD Bands	Band 71 (600 MHz)	
	Band 12 (700 MHz)	✓
	Band 28 (700 MHz)	
	Band 85 (700 MHz)	
	Band 13 (750 MHz)	✓
	Band 20 (800 MHz)	
	Band 5 (850 MHz)	✓
	Band 18 (850 MHz)	
	Band 19 (850 MHz)	
	Band 26 (850 MHz)	
	Band 8 (900 MHz)	
	Band 4 (1700 MHz)	
	Band 3 (1800 MHz)	
	Band 2 (1900 MHz)	✓
	Band 25 (1900 MHz)	
	Band 1 (2100 MHz)	
Power class	Class 3 (23 dBm)	
Cellular data rate	up to 1200 kbit/s UL	
	up to 375 kbit/s DL	

- LTE Cat M1 for United States, Canada, and Mexico.
- FCC Certification in the United States only tests bands in use in the United States.
- Bands not listed as certified are disabled in the Device OS operating system and cannot be enabled from user firmware.

- Particular LTE Cat M1 devices are not certified for use in Europe or other countries that follow EU certification requirements.
- 3GPP Release 14 LTE Cat M1: Coverage Enhancement Mode B, Uplink TBS of 2984b

I/O CHARACTERISTICS

These specifications are based on the nRF52840 datasheet.

Symbol	Parameter	Min	Typ	Max	Unit
VIH	Input high voltage	0.7 xVDD		VDD	V
VIL	Input low voltage	VSS		0.3 xVDD	V
VOH,SD	Output high voltage, standard drive, 0.5 mA, VDD ≥1.7	VDD - 0.4		VDD	V
VOH,HDH	Output high voltage, high drive, 5 mA, VDD ≥ 2.7 V	VDD - 0.4		VDD	V
VOH,HDL	Output high voltage, high drive, 3 mA, VDD ≥ 1.7 V	VDD - 0.4		VDD	V
VOL,SD	Output low voltage, standard drive, 0.5 mA, VDD ≥1.7	VSS		VSS + 0.4	V
VOL,HDH	Output low voltage, high drive, 5 mA, VDD ≥ 2.7 V	VSS		VSS + 0.4	V
VOL,HDL	Output low voltage, high drive, 3 mA, VDD ≥ 1.7 V	VSS		VSS + 0.4	V
IOL,SD	Current at VSS+0.4 V, output set low, standard drive, VDD ≥1.7	1	2	4	mA
IOL,HDH	Current at VSS+0.4 V, output set low, high drive, VDD ≥ 2.7V	6	10	15	mA
IOL,HDL	Current at VSS+0.4 V, output set low, high drive, VDD ≥ 1.7V	3			mA
IOH,SD	Current at VDD-0.4 V, output set high, standard drive, VDD ≥1.7	1	2	4	mA
IOH,HDH	Current at VDD-0.4 V, output set high, high drive, VDD ≥ 2.7V	6	9	14	mA
IOH,HDL	Current at VDD-0.4 V, output set high, high drive, VDD ≥ 1.7V	3			mA
tRF,15pF	Rise/fall time, standard drivemode, 10-90%, 15 pF load ¹		9		ns
tRF,25pF	Rise/fall time, standard drive mode, 10-90%, 25 pF load ¹		13		ns
tRF,50pF	Rise/fall time, standard drive mode, 10-90%, 50 pF load ¹		25		ns
tHRF,15pF	Rise/Fall time, high drive mode, 10-90%, 15 pF load ¹		4		ns
tHRF,25pF	Rise/Fall time, high drive mode, 10-90%, 25 pF load ¹		5		ns
tHRF,50pF	Rise/Fall time, high drive mode, 10-90%, 50 pF load ¹		8		ns
RPU	Pull-up resistance	11	13	16	kΩ
RPD	Pull-down resistance	11	13	16	kΩ
CPAD	Pad capacitance		3		pF
CPAD_NFC	Pad capacitance on NFC pads		4		pF
INFC_LEAK	Leakage current between NFC pads when driven to different states		1	10	μA

- Rise and fall times based on simulations
- GPIO default to standard drive (2mA) but can be reconfigured to high drive (9mA) in Device OS 2.0.0 and later using the `pinSetDriveStrength()` function.

Mechanical specifications

DIMENSIONS AND WEIGHT

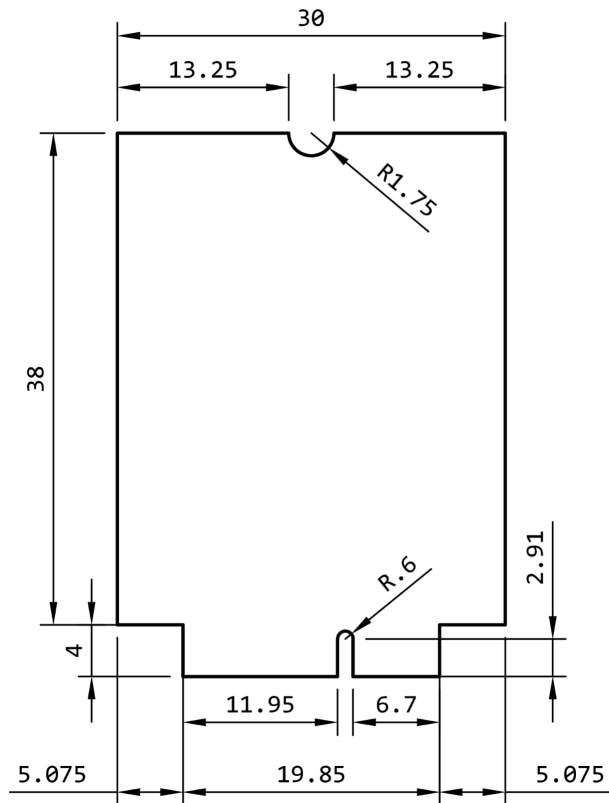
Parameters	Value	Unit
Width	30	mm
Height	42	mm
Thickness	5.5	mm
Weight	6.2	grams

3D MODELS

3D models of the B-Series SoM module are available in the [hardware-libraries Github](#) in formats including step, iges, stl, and f3d.

The 3D models are the same for the B404X and B402 as the cellular modem module is the same size.

MECHANICAL DRAWING

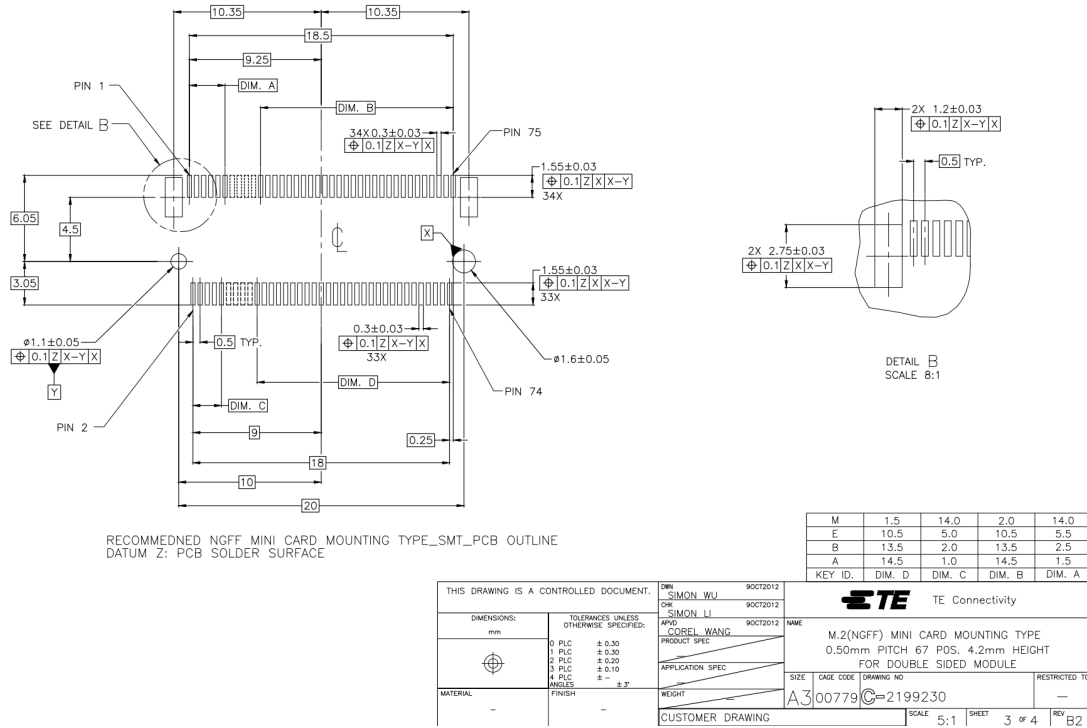


Dimensions are in millimeters.

MATING CONNECTOR AND LAND PATTERN

The mating connector is a an M.2 (NGFF) type 4. Note that there are several different key configurations for the M.2, and type 4 is different than is commonly used on SSDs.

One compatible connector is the [TE 2199230-4](#). It is widely available including at suppliers such as [DigiKey](#).



SCREW ASSEMBLY

The M.2 SoM requires a screw to hold the SoM in place because the M.2 connector does not have integrated locks and the SoM will pop up if not attached to the base board. The screw also provides better vibration resistance than locking clips.

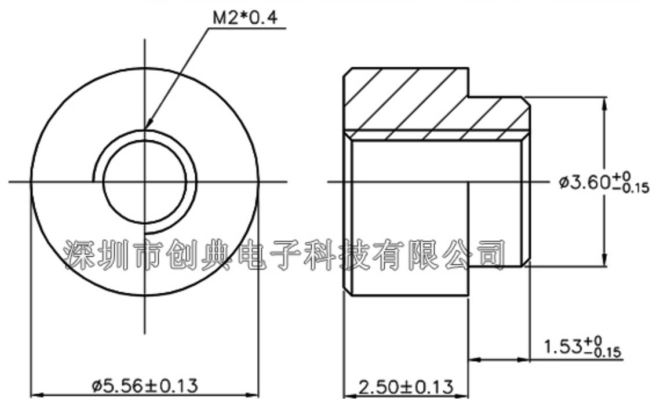
- This is one style of standoff.

宝贝实拍 PRODUCT PHOTOS



图纸参数 Drawing parameter

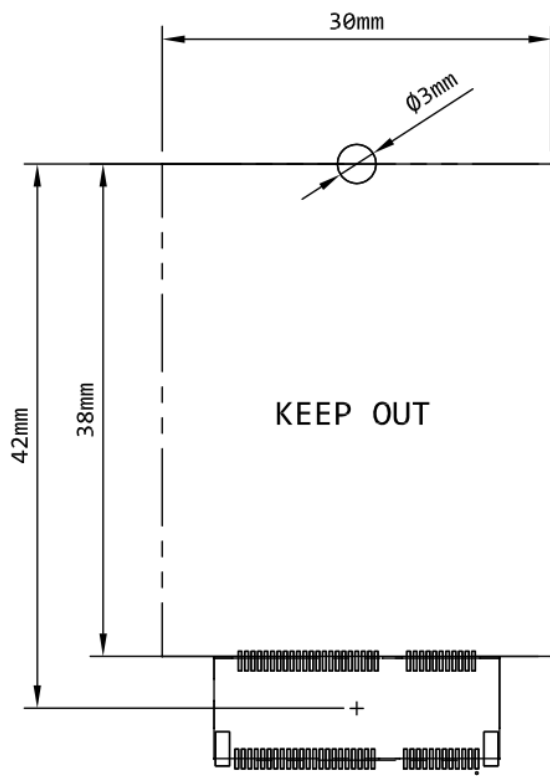
NGFF M.2 4.2H高配套铜柱



- An [alternative design](#) uses a [JAE SM3ZS067U410-NUT1-R1200](#) standoff. It's reflow soldered to your base board and has a threaded hole for a M2*3 screw to hold down the SoM. This may be easier to obtain.
- The screw should be connected to the ground plane on your base board.

DESIGN CONSIDERATIONS

We strongly recommend against placing components under the SOM board because there is not enough height.



Product handling

ESD PRECAUTIONS

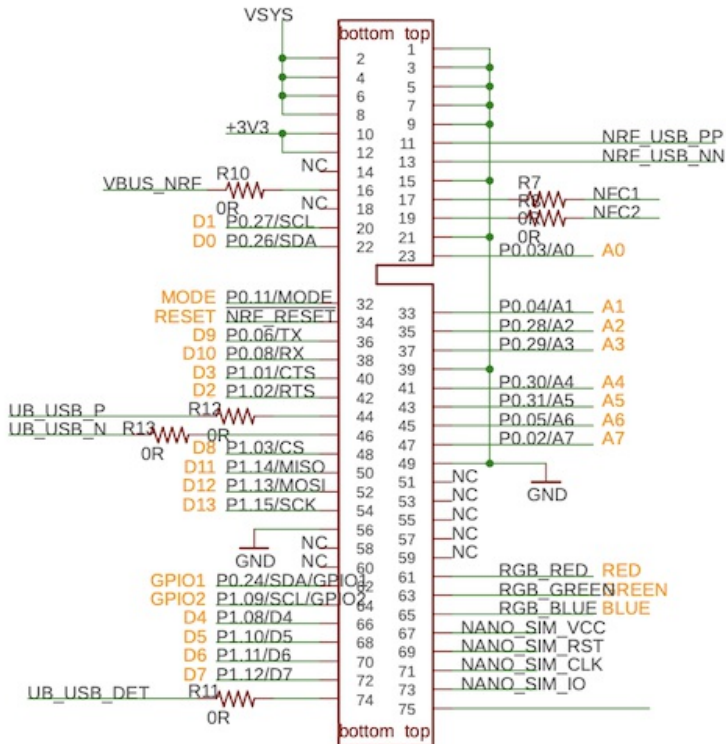
The B series contains highly sensitive electronic circuitry and is an Electrostatic Sensitive Device (ESD). Handling an B series without proper ESD protection may destroy or damage it permanently. Proper ESD handling and packaging procedures must be applied throughout the processing, handling and operation of any application that incorporates the B series module. ESD precautions should be implemented on the application board where the B series is mounted. Failure to observe these precautions can result in severe damage to the B series!

CONNECTORS

The U.FL antenna connector is not designed to be constantly plugged and unplugged. The antenna pin is static sensitive and you can destroy the radio with improper handling. A tiny dab of glue (epoxy, rubber cement, liquid tape or hot glue) on the connector can be used securely hold the plug in place.

The M.2 edge connector is static sensitive and should be handled carefully. The M.2 connector is not designed for repeated removal and insertion of the module.

M.2 CONNECTOR

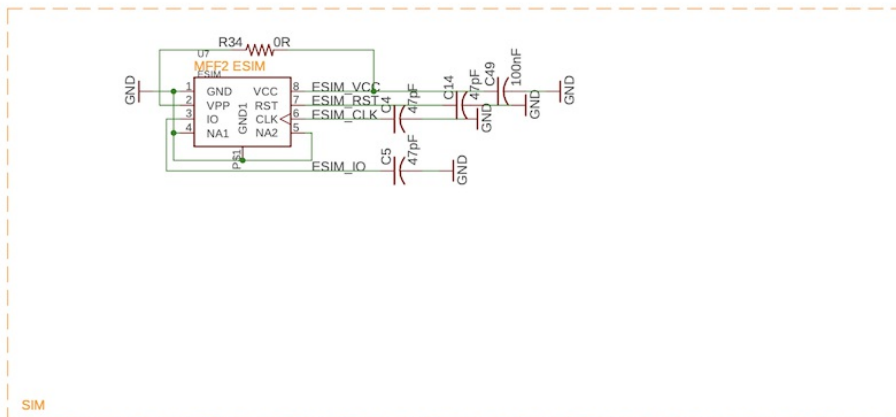
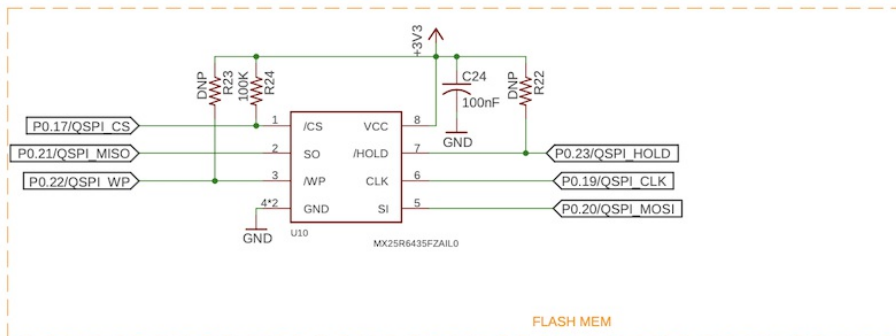


Note: An earlier version of this document had reversed the labels D2 and D3 in the diagram located here. The correct assignments are pictured above and are as follows:

SoM Pin nRF52 Pin Device OS Pin Serial Flow Control

SoM Pin	nRF52 Pin	Device OS Pin	Serial Flow Control
40	P1.01	D3	CTS
42	P1.02	D2	RTS

SIM AND FLASH



Assembly

CONFORMAL COATINGS

B-Series SoM modules should not use a conformal coating to protect the module from water. Some components on the SoM cannot be coated and would need to be masked off during coating. This will make the coating process difficult to implement and test.

Furthermore, you cannot safely protect the the connection between the M.2 SoM and the M.2 NGFF connector by using a coating. Using an enclosure that protects both your base board and the B-Series SoM as a single waterproof assembly is recommended instead.

Default settings

The B series comes pre-programmed with a bootloader and a user application called Tinker. This application works with an iOS and Android app also named Tinker that allows you to very easily toggle digital pins, take analog and digital readings and drive variable PWM outputs.

The bootloader allows you to easily update the user application via several different methods, USB, OTA, Serial Y-Modem, and also internally via the Factory Reset procedure. All of these methods have multiple tools associated with them as well.

FCC ISED CE warnings and end product labeling requirements

Federal Communication Commission Interference Statement This equipment has been tested and found to comply with the limits for a Class B digital device, pursuant to Part 15 of the FCC Rules. These limits are designed to provide reasonable protection against harmful interference in a residential installation. This equipment generates, uses and can radiate radio frequency energy and, if not installed and used in accordance with the instructions, may cause harmful interference to radio communications. However, there is no guarantee that interference will not occur in a particular installation. If this equipment does cause harmful interference to radio or television reception, which can be determined by turning the equipment off and on, the user is encouraged to try to correct the interference by one of the following measures:

- Reorient or relocate the receiving antenna.
- Increase the separation between the equipment and receiver.
- Connect the equipment into an outlet on a circuit different from that to which the receiver is connected.
- Consult the dealer or an experienced radio/TV technician for help.

FCC Caution: Any changes or modifications not expressly approved by the party responsible for compliance could void the user's authority to operate this equipment. This device complies with Part 15 of the FCC Rules. Operation is subject to the following two conditions:

1. This device may not cause harmful interference, and
2. This device must accept any interference received, including interference that may cause undesired operation.

FCC Radiation Exposure Statement: This equipment complies with FCC radiation exposure limits set forth for an uncontrolled environment. This transmitter module must not be co-located or operating in conjunction with any other antenna or transmitter. This End equipment should be installed and operated with a minimum distance of 20 centimeters between the radiator and your body.

IMPORTANT NOTE: In the event that these conditions can not be met (for example certain laptop configurations or co-location with another transmitter), then the FCC authorization is no longer considered valid and the FCC ID can not be used on the final product. In these circumstances, the OEM integrator will be responsible for re-evaluating the end product (including the transmitter) and obtaining a separate FCC authorization.

End Product Labeling The final end product must be labeled in a visible area with the following:

- Contains FCC ID: 2AEMI-B404X

Manual Information to the End User The OEM integrator has to be aware not to provide information to the end user regarding how to install or remove this RF module in the user's manual of the end product which integrates this module.

Canada Statement This device complies with Industry Canada's licence-exempt RSSs. Operation is subject to the following two conditions:

1. This device may not cause interference; and
2. This device must accept any interference, including interference that may cause undesired operation of the device.

Le présent appareil est conforme aux CNR d'Industrie Canada applicables aux appareils radio exempts de licence.

L'exploitation est autorisée aux deux conditions suivantes:

1. l'appareil ne doit pas produire de brouillage;
2. l'utilisateur de l'appareil doit accepter tout brouillage radioélectrique subi, même si le brouillage est susceptible d'en compromettre le fonctionnement.

Caution Exposure: This device meets the exemption from the routine evaluation limits in section 2.5 of RSS102 and users can obtain Canadian information on RF exposure and compliance. Le dispositif répond à l'exemption des limites d'évaluation de routine dans la section 2.5 de RSS102 et les utilisateurs peuvent obtenir des renseignements canadiens sur l'exposition aux RF et le respect.

The final end product must be labelled in a visible area with the following: The Industry Canada certification label of a module shall be clearly visible at all times when installed in the host device, otherwise the host device must be labelled to display the Industry Canada certification number of the module, preceded by the words "Contains transmitter module", or the word "Contains", or similar wording expressing the same meaning, as follows:

- Contains transmitter module ISED: 20127-B404X

This End equipment should be installed and operated with a minimum distance of 20 centimeters between the radiator and your body. Cet équipement devrait être installé et actionné avec une distance minimum de 20 centimètres entre le radiateur et votre corps.

The end user manual shall include all required regulatory information/warning as shown in this manual.

Certification documents

BLUETOOTH - B404X B-SERIES SOM

- [Bluetooth](#)

CE (EUROPE) - B404X B-SERIES SOM

The B404X are not certified for use in Europe at this time. The B524 (LTE Cat M1 with 2G/3G fallback) is recommended instead.

FCC (UNITED STATES) - B404X B-SERIES SOM

- FCC ID: 2AEMI-B404X
- [Grant of equipment authorization \(DTS\)](#)
- [Grant of equipment authorization \(PCB\)](#)
- [Attestation 15 Subpart B, Class B \(sDoC\)](#)
- [RF Exposure Report FCC Part 2, Section 2.1091](#)
- [Test report FCC Part 15 Subpart C, Section 15.247](#)
- [Test report FCC Part 22, Part 24, Part 27](#)

ISED (CANADA) - B404X B-SERIES SOM

- ISED: **20127-B404X**
- [Certificate of Conformity](#)
- [Test Report RSS-247 Issue 2, RSS-Gen Issue 5](#)
- [Test Report ICES-003 Issue 7:2020 Class B](#)
- [Test Report RS-132 Issue 3, RSS-133 Issue 6, RSS-139 Issue 4](#)

Country compatibility

Country	Technologies	Carriers
Canada	M1	Bell Mobility, Rogers Wireless, Telus
Mexico	M1	AT&T, Telcel
United States	M1	AT&T, T-Mobile (USA), Verizon ⁷

Ordering information

SKU	Description	Region	Modem	EtherSIM	Lifecycle	Replacement
B404XMEA	B-Series LTE-M (NorAm, EtherSIM), [x1]	NORAM	R510	✓	GA	
B404XMTY	B-Series LTE-M (NorAm, EtherSIM), Tray [x50]	NORAM	R510	✓	GA	

Revision history

Revision	Date	Author	Comments
018	2022-08-29	RK	Split out from B404 and B402
019	2022-09-06	RK	Update certified cellular antenna
020	2022-09-07	RK	Add additional port and pin information
021	2022-09-16	RK	Added FCC and ISED
022	2022-09-16	RK	Fix minimum Device OS version, is 4.0.0
023	2022-09-26	RK	Added FCC and ISED labeling requirements
024	2022-12-10	RK	Added PMIC notes
025	2022-12-13	RK	Update block diagram and antenna information
026	2023-01-06	RK	Clarify power supply notes for VCC and 3V3, ADC
027	2023-01-11	RK	Updated certifications, added ISED, removed PTCRB
028	2023-01-17	RK	Added FCC § 2.1033(b)(5) Block Diagram
029	2023-01-31	RK	Add Device OS versions
030	2023-03-07	RK	Update BLE antenna text
031	2023-04-28	RK	Add conformal coating warning
033	2023-06-07	RK	Fixed diagram of M.2 connector in schematics
034	2023-07-18	RK	Added alternate antenna ANT-FLXU
035	2023-11-13	RK	Add full pin details
036	2024-02-20	RK	M.2 screw assembly should be connected to ground
037	2024-04-23	RK	Added links to certification documents